

**技术特性/Specifications:**

额定电压 Rated voltage: 50V AC, DC  
 额定电流 Rated current: 1.25A AC, DC  
 接触电阻 Contact resistance: 30mΩ max  
 绝缘电阻 Insulation resistance: 500MΩ min  
 耐压 Withstand voltage: 500V AC/minute  
 环境温度 Ambient temperature: -35°C~+105°C  
 适用线规 Wire range: AWG#28~#24

**标准/Standard:**

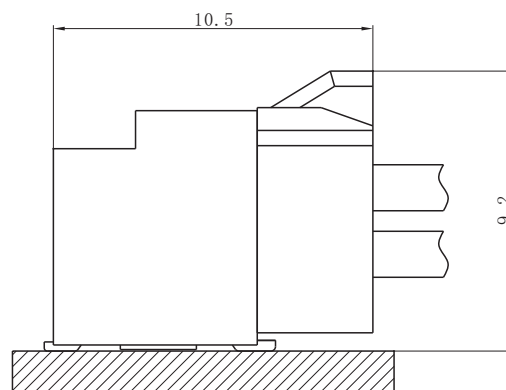
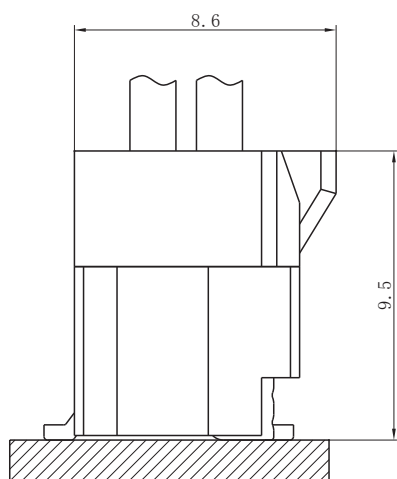


详细参数请咨询:

- E-mail: manager@zjdll.com
- E-mail: technical-support@zjdll.com
- WeChat: 13867778918

**PC电路板布局和组件布局 PC board layout and Assembly layout**

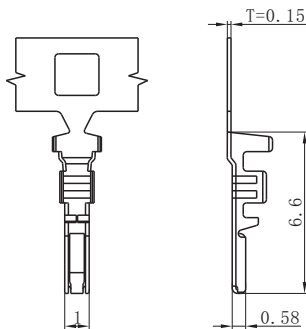
▣ Assembly layout (装配布局)



上图为连接器安装侧观察图

Notes: The above figure is the figure viewed from the connector mounting side.

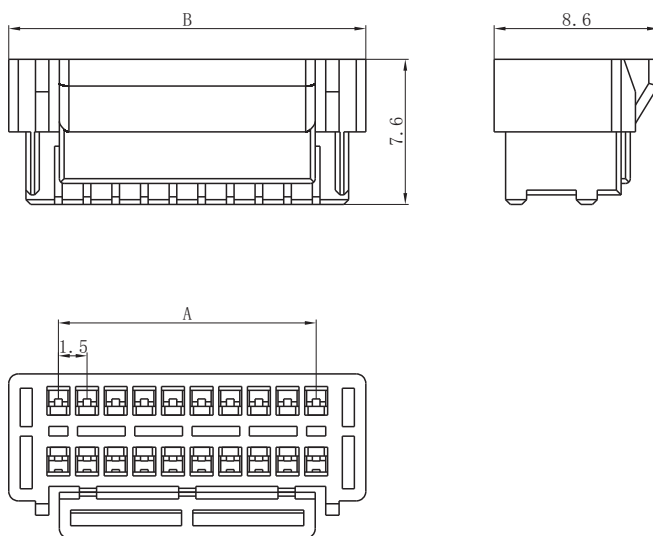
□ DL15007-T (ZHD-T)



Model No. (型号)	Applicable wire (适用线规)			Material (材料)	Plating (电镀)	Qty/reel (数量/盘)
	mm <sup>2</sup>	AWG#	Insulation O.D. (绝缘外径mm)			
DL15007-T (ZHD-T)	0.08~0.21	28~24	φ 0.76~1.20	Phosphor bronze (磷青铜)	Tin Plated (镀锡)	15000

符合RoHS标准  
RoHS compliance

□ DL15007-Y (ZHD-Y)



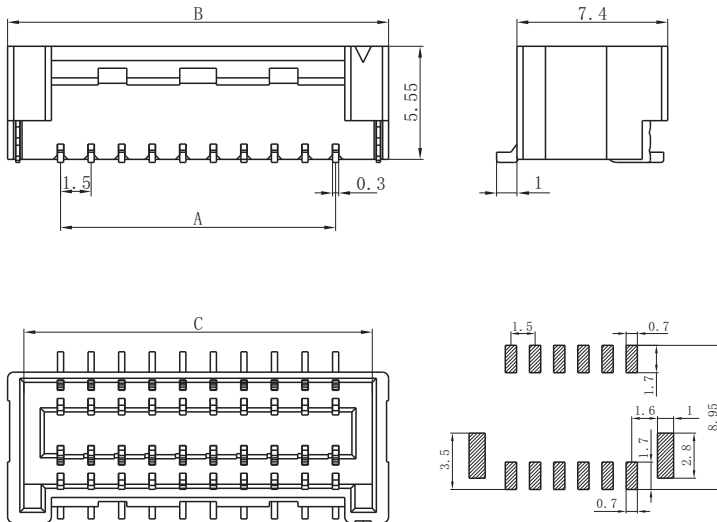
Circuits (电路)	Product name (产品名称)	Dimensions (尺寸mm)	
		A	B
2X2	ZHD-4Y	1.50	6.70
2X3	ZHD-6Y	3.00	8.20
2X4	ZHD-8Y	4.50	9.70
2X5	ZHD-10Y	6.00	11.20
2X6	ZHD-12Y	7.50	12.70
2X7	ZHD-14Y	9.00	14.20
2X8	ZHD-16Y	10.50	15.70
2X9	ZHD-18Y	12.00	17.20
2X10	ZHD-20Y	13.50	18.70
2X11	ZHD-22Y	15.00	20.20
2X12	ZHD-24Y	16.50	21.70
2X13	ZHD-26Y	18.00	23.20
2X14	ZHD-28Y	19.50	24.70
2X15	ZHD-30Y	21.00	26.20
2X16	ZHD-32Y	22.50	27.70
2X17	ZHD-34Y	24.00	29.20
2X18	ZHD-36Y	25.50	30.70
~	~	~	~
2X30	ZHD-60Y	28.50	33.70

Material (材料)

Housing (胶壳): Nylon (尼龙) UL94V-0 (2)

符合RoHS标准  
RoHS compliance

□ DL15007-AB (ZHD-AB)



Circuits (电路)	Product name (产品名称)	Dimensions (尺寸mm)		
		A	B	C
2X2	ZHD-4AB	1.50	6.70	5.10
2X3	ZHD-6AB	3.00	8.20	6.60
2X4	ZHD-8AB	4.50	9.70	8.10
2X5	ZHD-10AB	6.00	11.20	9.60
2X6	ZHD-12AB	7.50	12.70	11.10
2X7	ZHD-14AB	9.00	14.20	12.60
2X8	ZHD-16AB	10.50	15.70	14.10
2X9	ZHD-18AB	12.00	17.20	15.60
2X10	ZHD-20AB	13.50	18.70	17.10
2X11	ZHD-22AB	15.00	20.20	18.60
2X12	ZHD-24AB	16.50	21.70	20.10
2X13	ZHD-26AB	18.00	23.20	21.60
2X14	ZHD-28AB	19.50	24.70	23.10
2X15	ZHD-30AB	21.00	26.20	24.60
2X16	ZHD-32AB	22.50	27.70	26.10
2X17	ZHD-34AB	24.00	29.20	27.60
2X18	ZHD-36AB	25.50	30.70	29.10
~	~	~	~	~
2X30	ZHD-60AB	28.50	33.70	32.10

Material (材料)

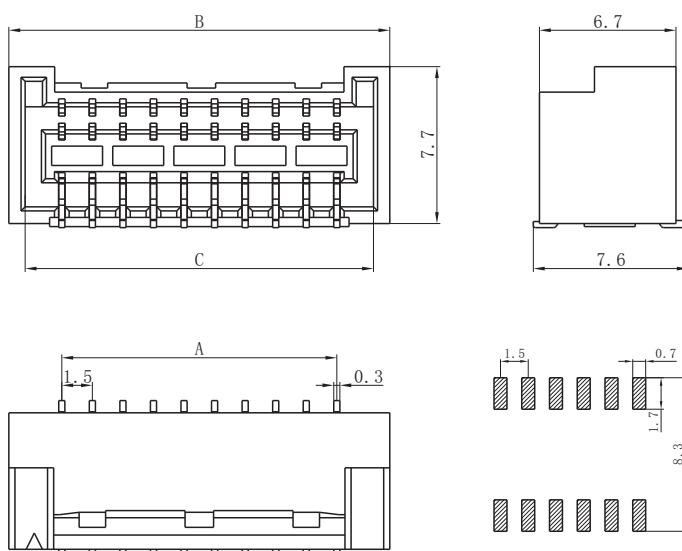
Housing (胶壳): LCP UL94V-0

Wafer (接触件): Phosphor bronze (磷青铜) / Tin plated (镀锡)

Solder tabs (焊片): Brass (黄铜) / Tin plated (镀锡)

符合RoHS标准  
RoHS compliance

□ DL15007-AWB (ZHD-AWB)



Circuits (电路)	Product name (产品名称)	Dimensions (尺寸mm)		
		A	B	C
2X2	ZHD-4AWB	1.50	6.70	5.10
2X3	ZHD-6AWB	3.00	8.20	6.60
2X4	ZHD-8AWB	4.50	9.70	8.10
2X5	ZHD-10AWB	6.00	11.20	9.60
2X6	ZHD-12AWB	7.50	12.70	11.10
2X7	ZHD-14AWB	9.00	14.20	12.60
2X8	ZHD-16AWB	10.50	15.70	14.10
2X9	ZHD-18AWB	12.00	17.20	15.60
2X10	ZHD-20AWB	13.50	18.70	17.10
2X11	ZHD-22AWB	15.00	20.20	18.60
2X12	ZHD-24AWB	16.50	21.70	20.10
2X13	ZHD-26AWB	18.00	23.20	21.60
2X14	ZHD-28AWB	19.50	24.70	23.10
2X15	ZHD-30AWB	21.00	26.20	24.60
2X16	ZHD-32AWB	22.50	27.70	26.10
2X17	ZHD-34AWB	24.00	29.20	27.60
2X18	ZHD-36AWB	25.50	30.70	29.10
~	~	~	~	~
2X30	ZHD-60AWB	28.50	33.70	32.10

Material (材料)

Housing (胶壳): LCP UL94V-0

Wafer (接触件): Phosphor bronze (磷青铜) / Tin plated (镀锡)

Solder tabs (焊片): Brass (黄铜) / Tin plated (镀锡)

符合RoHS标准  
RoHS compliance

## X-ON Electronics

Largest Supplier of Electrical and Electronic Components

*Click to view similar products for [Headers & Wire Housings](#) category:*

*Click to view products by [DLL](#) manufacturer:*

Other Similar products are found below :

[0015917161](#) [0022155065](#) [57102-F02-18ULF](#) [58102-G61-06LF](#) [582553-1](#) [01.001.5753.1](#) [0050291907](#) [02.125.8002.8](#) [609-3404](#) [61062-3](#)  
[CSU011177004](#) [622-0430](#) [622-3653LF](#) [63453-116](#) [636-1030](#) [636-1427](#) [636-3427](#) [636-4007](#) [641938-9](#) [65495-038](#) [65692-001LF](#) [65781-018](#)  
[65781-047](#) [65817-010LF](#) [65817-015LF](#) [67095-007LF](#) [67601157](#) [68631-112](#) [68645-018](#) [699319-000](#) [70.362.1628.0](#) [70-4210](#) [70-4226B](#) [70-](#)  
[4853B](#) [71.350.2428.0](#) [733-134](#) [733-162](#) [MHR-64-VUAL](#) [80.063.4001.1](#) [800-90-001-10-001000](#) [801-43-002-10-013000](#) [801-43-006-10-](#)  
[002000](#) [803-43-024-10-001000](#) [803-93-012-10-001000](#) [8-1437020-4](#) [819-22-004-30-001101](#) [820-22-006-30-001101](#) [820-22-008-30-001101](#)  
[821-22-002-10-001101](#) [821-22-003-10-002101](#)