

**技术特性/Specifications:**

额定电压 Rated voltage: 50V AC, DC  
 额定电流 Rated current: 1.25A AC, DC  
 接触电阻 Contact resistance: 30mΩ max  
 绝缘电阻 Insulation resistance: 500MΩ min  
 耐压 Withstand voltage: 500V AC/minute  
 环境温度 Ambient temperature: -35°C~+105°C  
 适用线规 Wire range: AWG#28~#24

**标准/Standard:**

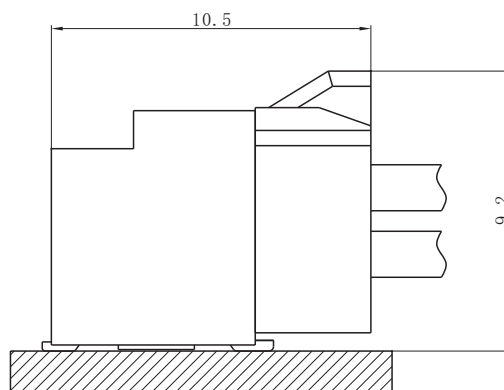
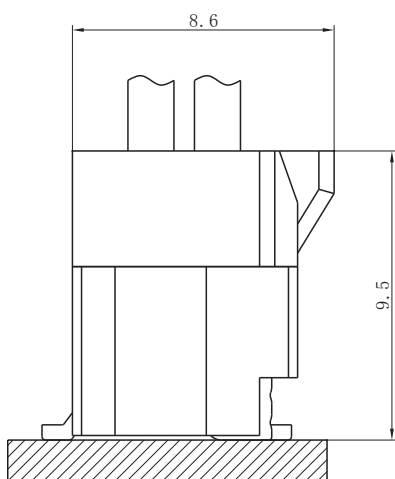


详细参数请咨询:

- E-mail: manager@zjdll.com
- E-mail: technical-support@zjdll.com
- WeChat: 13867778918

**PC电路板布局和组件布局 PC board layout and Assembly layout**

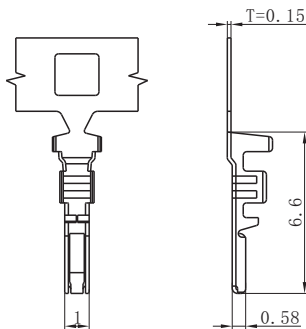
▣ Assembly layout (装配布局)



上图为连接器安装侧观察图

Notes: The above figure is the figure viewed from the connector mounting side.

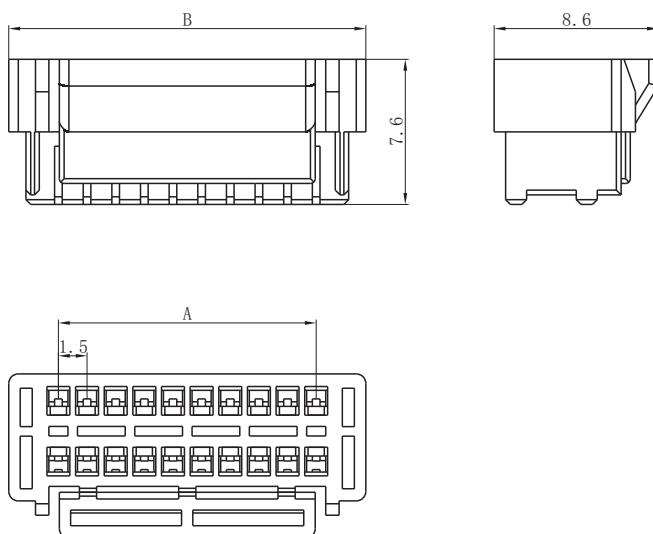
□ DL15007-T (ZHD-T)



| Model No. (型号)    | Applicable wire (适用线规) |       |                          | Material (材料)         | Plating (电镀)    | Qty/reel (数量/盘) |
|-------------------|------------------------|-------|--------------------------|-----------------------|-----------------|-----------------|
|                   | mm <sup>2</sup>        | AWG#  | Insulation O.D. (绝缘外径mm) |                       |                 |                 |
| DL15007-T (ZHD-T) | 0.08~0.21              | 28~24 | φ 0.76~1.20              | Phosphor bronze (磷青铜) | Tin Plated (镀锡) | 15000           |

符合RoHS标准  
RoHS compliance

□ DL15007-Y (ZHD-Y)



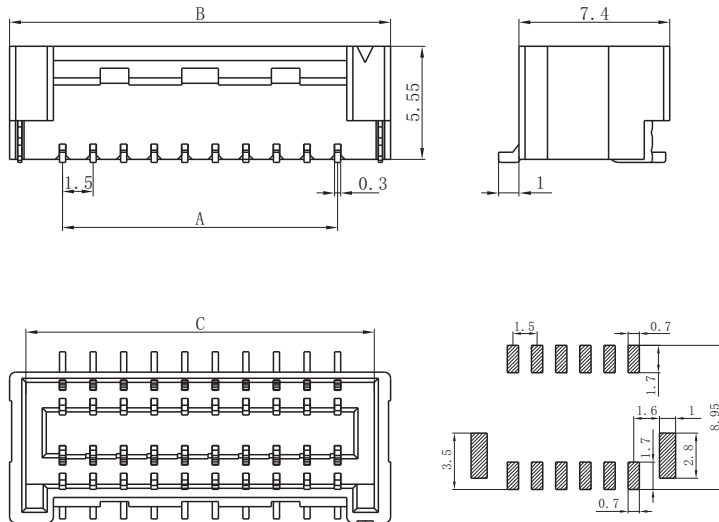
| Circuits (电路) | Product name (产品名称) | Dimensions (尺寸mm) |       |
|---------------|---------------------|-------------------|-------|
|               |                     | A                 | B     |
| 2X2           | ZHD-4Y              | 1.50              | 6.70  |
| 2X3           | ZHD-6Y              | 3.00              | 8.20  |
| 2X4           | ZHD-8Y              | 4.50              | 9.70  |
| 2X5           | ZHD-10Y             | 6.00              | 11.20 |
| 2X6           | ZHD-12Y             | 7.50              | 12.70 |
| 2X7           | ZHD-14Y             | 9.00              | 14.20 |
| 2X8           | ZHD-16Y             | 10.50             | 15.70 |
| 2X9           | ZHD-18Y             | 12.00             | 17.20 |
| 2X10          | ZHD-20Y             | 13.50             | 18.70 |
| 2X11          | ZHD-22Y             | 15.00             | 20.20 |
| 2X12          | ZHD-24Y             | 16.50             | 21.70 |
| 2X13          | ZHD-26Y             | 18.00             | 23.20 |
| 2X14          | ZHD-28Y             | 19.50             | 24.70 |
| 2X15          | ZHD-30Y             | 21.00             | 26.20 |
| 2X16          | ZHD-32Y             | 22.50             | 27.70 |
| 2X17          | ZHD-34Y             | 24.00             | 29.20 |
| 2X18          | ZHD-36Y             | 25.50             | 30.70 |
| ~             | ~                   | ~                 | ~     |
| 2X30          | ZHD-60Y             | 28.50             | 33.70 |

Material (材料)

Housing (胶壳): Nylon (尼龙) UL94V-0 (2)

符合RoHS标准  
RoHS compliance

□ DL15007-AB (ZHD-AB)



| Circuits<br>(电路) | Product name<br>(产品名称) | Dimensions (尺寸mm) |       |       |
|------------------|------------------------|-------------------|-------|-------|
|                  |                        | A                 | B     | C     |
| 2X2              | ZHD-4AB                | 1.50              | 6.70  | 5.10  |
| 2X3              | ZHD-6AB                | 3.00              | 8.20  | 6.60  |
| 2X4              | ZHD-8AB                | 4.50              | 9.70  | 8.10  |
| 2X5              | ZHD-10AB               | 6.00              | 11.20 | 9.60  |
| 2X6              | ZHD-12AB               | 7.50              | 12.70 | 11.10 |
| 2X7              | ZHD-14AB               | 9.00              | 14.20 | 12.60 |
| 2X8              | ZHD-16AB               | 10.50             | 15.70 | 14.10 |
| 2X9              | ZHD-18AB               | 12.00             | 17.20 | 15.60 |
| 2X10             | ZHD-20AB               | 13.50             | 18.70 | 17.10 |
| 2X11             | ZHD-22AB               | 15.00             | 20.20 | 18.60 |
| 2X12             | ZHD-24AB               | 16.50             | 21.70 | 20.10 |
| 2X13             | ZHD-26AB               | 18.00             | 23.20 | 21.60 |
| 2X14             | ZHD-28AB               | 19.50             | 24.70 | 23.10 |
| 2X15             | ZHD-30AB               | 21.00             | 26.20 | 24.60 |
| 2X16             | ZHD-32AB               | 22.50             | 27.70 | 26.10 |
| 2X17             | ZHD-34AB               | 24.00             | 29.20 | 27.60 |
| 2X18             | ZHD-36AB               | 25.50             | 30.70 | 29.10 |
| ~                | ~                      | ~                 | ~     | ~     |
| 2X30             | ZHD-60AB               | 28.50             | 33.70 | 32.10 |

Material (材料)

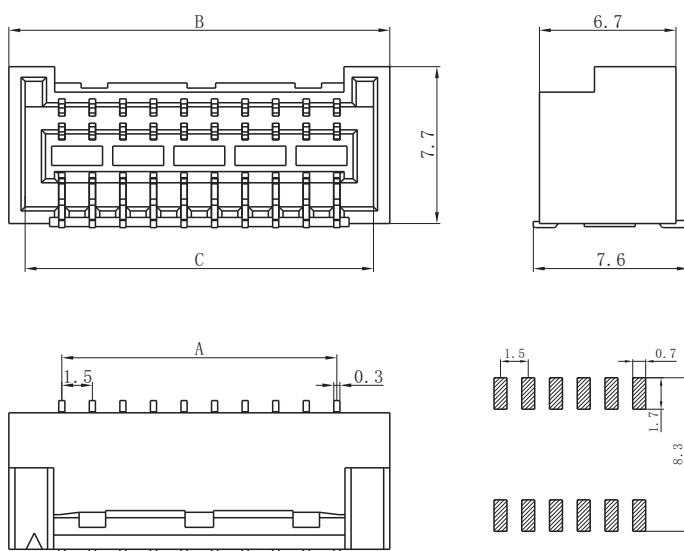
Housing (胶壳): LCP UL94V-0

Wafer (接触件): Phosphor bronze (磷青铜) / Tin plated (镀锡)

Solder tabs (焊片): Brass (黄铜) / Tin plated (镀锡)

符合RoHS标准  
RoHS compliance

□ DL15007-AWB (ZHD-AWB)



| Circuits<br>(电路) | Product name<br>(产品名称) | Dimensions (尺寸mm) |       |       |
|------------------|------------------------|-------------------|-------|-------|
|                  |                        | A                 | B     | C     |
| 2X2              | ZHD-4AWB               | 1.50              | 6.70  | 5.10  |
| 2X3              | ZHD-6AWB               | 3.00              | 8.20  | 6.60  |
| 2X4              | ZHD-8AWB               | 4.50              | 9.70  | 8.10  |
| 2X5              | ZHD-10AWB              | 6.00              | 11.20 | 9.60  |
| 2X6              | ZHD-12AWB              | 7.50              | 12.70 | 11.10 |
| 2X7              | ZHD-14AWB              | 9.00              | 14.20 | 12.60 |
| 2X8              | ZHD-16AWB              | 10.50             | 15.70 | 14.10 |
| 2X9              | ZHD-18AWB              | 12.00             | 17.20 | 15.60 |
| 2X10             | ZHD-20AWB              | 13.50             | 18.70 | 17.10 |
| 2X11             | ZHD-22AWB              | 15.00             | 20.20 | 18.60 |
| 2X12             | ZHD-24AWB              | 16.50             | 21.70 | 20.10 |
| 2X13             | ZHD-26AWB              | 18.00             | 23.20 | 21.60 |
| 2X14             | ZHD-28AWB              | 19.50             | 24.70 | 23.10 |
| 2X15             | ZHD-30AWB              | 21.00             | 26.20 | 24.60 |
| 2X16             | ZHD-32AWB              | 22.50             | 27.70 | 26.10 |
| 2X17             | ZHD-34AWB              | 24.00             | 29.20 | 27.60 |
| 2X18             | ZHD-36AWB              | 25.50             | 30.70 | 29.10 |
| ~                | ~                      | ~                 | ~     | ~     |
| 2X30             | ZHD-60AWB              | 28.50             | 33.70 | 32.10 |

Material (材料)

Housing (胶壳): LCP UL94V-0

Wafer (接触件): Phosphor bronze (磷青铜) / Tin plated (镀锡)

Solder tabs (焊片): Brass (黄铜) / Tin plated (镀锡)

符合RoHS标准  
RoHS compliance

## X-ON Electronics

Largest Supplier of Electrical and Electronic Components

*Click to view similar products for [Headers & Wire Housings](#) category:*

*Click to view products by [DLL](#) manufacturer:*

Other Similar products are found below :

[0015917161](#) [0022155065](#) [57102-F02-18ULF](#) [58102-G61-06LF](#) [582553-1](#) [01.001.5753.1](#) [0050291907](#) [02.125.8002.8](#) [609-3404](#) [61062-3](#)  
[CSU011177004](#) [622-0430](#) [622-3653LF](#) [63453-116](#) [636-1030](#) [636-1427](#) [636-3427](#) [636-4007](#) [641938-9](#) [65495-038](#) [65692-001LF](#) [65781-018](#)  
[65781-047](#) [65817-010LF](#) [65817-015LF](#) [67095-007LF](#) [67601157](#) [68631-112](#) [68645-018](#) [699319-000](#) [70.362.1628.0](#) [70-4210](#) [70-4226B](#) [70-](#)  
[4853B](#) [71.350.2428.0](#) [733-134](#) [733-162](#) [760-3052](#) [MHR-64-VUAL](#) [80.063.4001.1](#) [800-90-001-10-001000](#) [801-43-002-10-013000](#)  
[801-43-006-10-002000](#) [803-43-024-10-001000](#) [803-93-012-10-001000](#) [8-1437020-4](#) [819-22-004-30-001101](#) [820-22-006-30-001101](#)  
[820-22-008-30-001101](#) [821-22-002-10-001101](#)