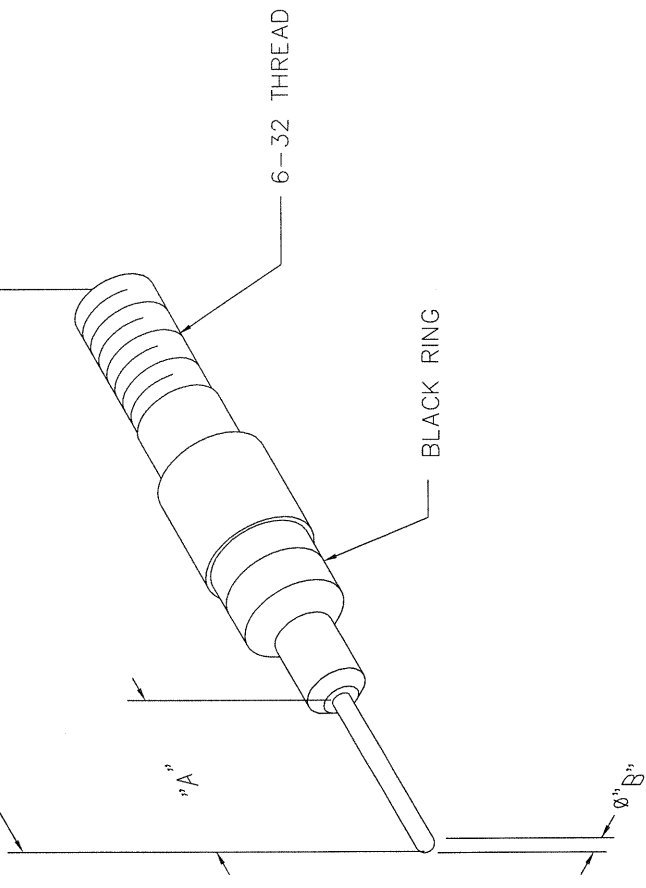


UNCONTROLLED DOCUMENT  
WILL NOT BE UPDATED

REV. SYM.		E.C.O. NUMBER		REVISIONS		BY DATE		APP'D DATE	
3				ADDED	67-008-01	K. KOONS	1.23.08		1.23.08



67-026-01	.525	.024	1.400	GREEN
67-024-01	.525	.020	1.400	GOLD
67-023-01	.466	.026	1.355	BLACK
67-022-01	.466	.031	1.350	COPPER
67-020-01	.525	.040	1.405	RED
67-016-01	.488	.064	1.375	BLUE
67-012-01	.675	.094	1.565	YELLOW
67-008-01	.752	.130	1.500	RED
PART NO.	"A"	"B"	"C"	COLOR

RESTRICTED & CONFIDENTIAL		MATERIAL		ITEM		PART NO.		QTY.		DESCRIPTION/REMARKS			
CONFIDENTIAL PROPERTY OF DANIELS MANUFACTURING CORP. NOT TO BE DISCLOSED TO OTHERS, REPRODUCED OR USED FOR ANY OTHER PURPOSE, EXCEPT AS AUTHORIZED IN WRITING BY DANIELS MANUFACTURING. MUST BE RETURNED TO DANIELS MANUFACTURING CORPORATION ON ORDER OR OTHER PURPOSE FOR WHICH LENT.		HEAT TREAT		DRN.	JMC	DATE	2-11-00	DANIELS MANUFACTURING CORP. ORLANDO, FLORIDA CAGE 11851		TITLE			
		FINISH		CHK'D.	JWJ	DATE	2-11-00	TIP, SOCKET RETENTION TESTER ENVELOPE DRAWING		WHERE USED:			
				APP'D.		DATE		SIZE		CAD P/N		SHEET OF	
				APP'D.		DATE		POSTING		67-XXX-01-ENV		1 1	
DO NOT SCALE DRAWING				NOTE:		THIS DRAWING IS AN OUTLINE DRAWING OF THE RESPECTIVE DMC PART NUMBER INDICATED. ACTUAL DMC PART NUMBER IS DRAWING PART NUMBER PLUS SUFFIX THE "ENV" SUFFIX.		B NTS		67-XXX-01-ENV			
								1 1		REV. 3			

## X-ON Electronics

Largest Supplier of Electrical and Electronic Components

*Click to view similar products for [Other Tools](#) category:*

*Click to view products by [DMC](#) manufacturer:*

Other Similar products are found below :

[CR-0AFL4--332K](#) [568681-1](#) [5800-0090](#) [58061-1](#) [59065-5](#) [59085](#) [00-8273-RDPP](#) [00-8729-WHPP](#) [593033](#) [593072](#) [593564100](#) [593575](#)  
[593593](#) [011349-000](#) [CRCW08052740FRT1](#) [LUC-012S070DSM](#) [LUC-018S070DSP](#) [LUC-024S105DSP](#) [599-2021-3-NME](#) [599-JJ-2021-03](#)  
[00-5080-YWPP](#) [00-9089-RDPP](#) [00-9300-RDPP](#) [CRCW2010331JR02](#) [601-JJ-06](#) [601-SPB](#) [601YSY](#) [602-JJ-03](#) [602SPB](#) [603-JJ-07-FP](#) [603-](#)  
[JJY-04](#) [M15570-25](#) [CRTN1013](#) [CS16](#) [6-1579014-0](#) [6203](#) [62200-5709](#) [6240-1](#) [M43435 TY 2 SZ 3 FIN B BLK](#) [M43435 TY 5 SZ 3 FIN C](#)  
[NAT](#) [M-5Z](#) [M6816](#) [M7298](#) [M7456](#) [M7976](#) [660-29ABT1](#) [662508-1](#) [CVHD-950X-93.333](#) [CW104-01X](#) [671-GP-04-KT39-73207](#)