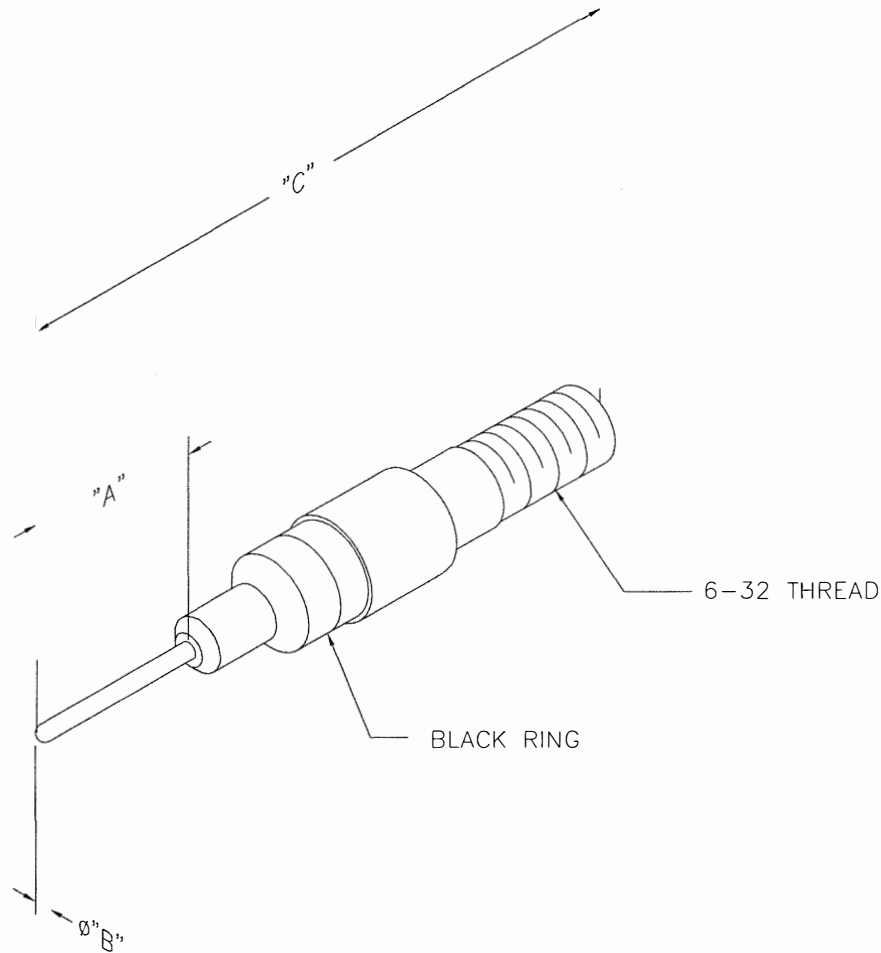


REV.		E.C.O.		REVISIONS	
SYM.	NUMBER	NUMBER	DESCRIPTION	BY DATE	APP'D DATE
3			ADDED 67-008-01	K. KOONS 1.23.08	RRR 1.23.08

UNCONTROLLED DOCUMENT
WILL NOT BE UPDATED




67-026-01	.525	.024	1.400	GREEN
67-024-01	.525	.020	1.400	GOLD
67-023-01	.466	.026	1.355	BLACK
67-022-01	.466	.031	1.350	COPPER
67-020-01	.525	.040	1.405	RED
67-016-01	.488	.064	1.375	BLUE
67-012-01	.675	.094	1.565	YELLOW
67-008-01	.752	.130	1.500	RED
PART NO.	"A"	ø"B"	"C"	COLOR

RESTRICTED & CONFIDENTIAL

CONFIDENTIAL PROPERTY OF DANIELS MANUFACTURING CORP. NOT TO BE DISCLOSED TO OTHERS, REPRODUCED OR USED FOR ANY OTHER PURPOSE, EXCEPT AS AUTHORIZED IN WRITING BY DANIELS MANUFACTURING. MUST BE RETURNED TO DANIELS MANUFACTURING CORP. ON COMPLETION OF ORDER OR OTHER PURPOSE FOR WHICH LENT.

DO NOT SCALE DRAWING

MATERIAL	ITEM	PART NO.	QTY.	DESCRIPTION/REMARKS
	DRN.	JMC	DATE 2-11-00	 DANIELS MANUFACTURING CORP. ORLANDO, FLORIDA CAGE 11851
	CHK'D.	JWJ	DATE 2-11-00	
HEAT TREAT	APP'D.		DATE	TITLE
	APP'D.		DATE	TIP, SOCKET RETENTION TESTER ENVELOPE DRAWING
FINISH	NOTE:			WHERE USED:
	THIS DRAWING IS AN OUTLINE DRAWING OF THE RESPECTIVE DMC PART NUMBER INDICATED. ACTUAL DMC PART NUMBER IS DRAWING NUMBER WITHOUT THE "-ENV" SUFFIX.			SIZE B NTS SCALE 67-XXX-01-ENV CAD P/N SHEET 1 OF 1 POSTING DWG. NO. 67-XXX-01-ENV REV. 3

X-ON Electronics

Largest Supplier of Electrical and Electronic Components

Click to view similar products for [Extraction, Removal & Insertion Tools](#) category:

Click to view products by [DMC](#) manufacturer:

Other Similar products are found below :

[M8196914-08](#) [768211-2](#) [809-131](#) [844751-2](#) [8-59558-2](#) [91018-1](#) [12014013](#) [12093647](#) [1-21048-0](#) [R282867020](#) [12093078](#) [1-21048-6](#)
[12121897](#) [DCF.91.405.5LT](#) [1322](#) [15314260](#) [15313892](#) [15350698](#) [15350707](#) [15430130](#) [1579018-4](#) [1643916-1](#) [1-679532-0](#) [1976593-3](#)
[OUTEXT-0321](#) [2-1579008-3](#) [2-1579008-4](#) [229694-7](#) [231106-1](#) [241469](#) [91040-3](#) [91040-7](#) [965004-000](#) [965069-000](#) [1738219-1](#) [ET-JL05-16](#)
[FG 0300 146 3000](#) [FIT-6](#) [210S048](#) [2-1579007-9](#) [231879-1](#) [312138-3](#) [RJ11FODE](#) [356-162](#) [M8196914-10](#) [4-1579018-0](#) [430395-001](#) [483249-](#)
[1](#) [5-1579007-2](#) [5-1579007-9](#)