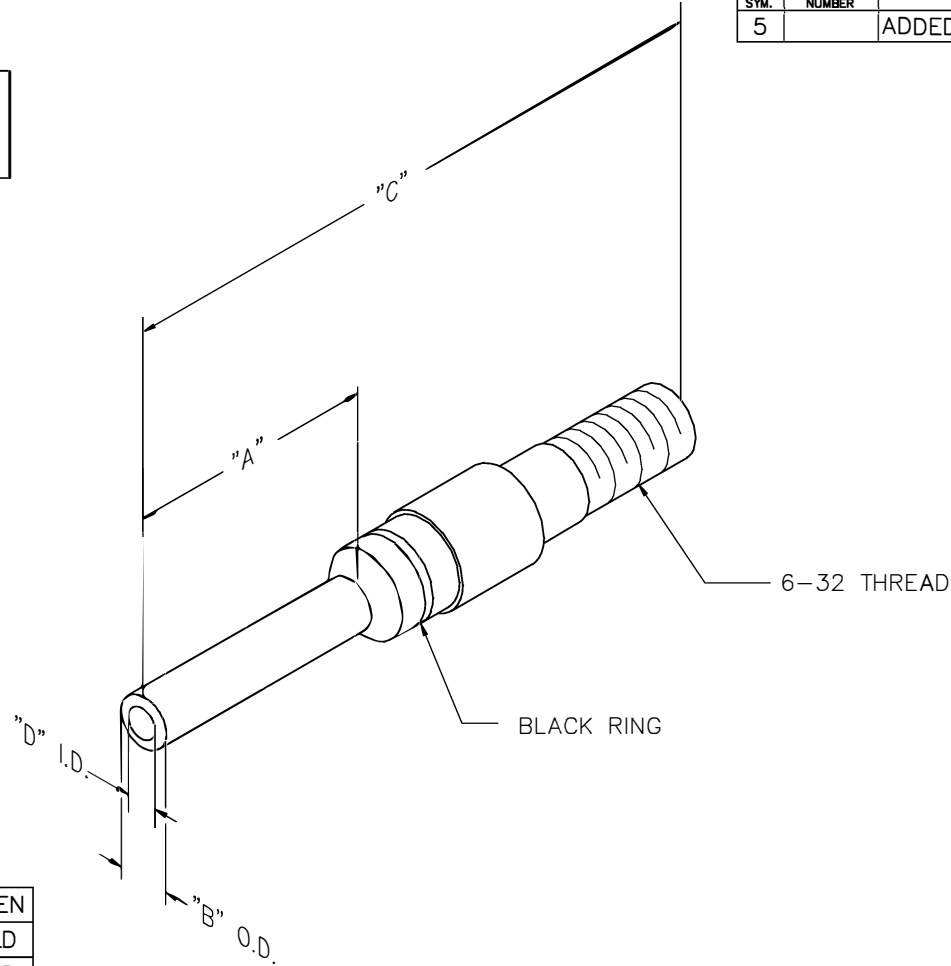


UNCONTROLLED DOCUMENT  
WILL NOT BE UPDATED

REVISIONS				
REV. SYM.	E.C.O. NUMBER	DESCRIPTION	BY DATE	APP'D DATE
5		ADDED 68-020S-01	K. KOONS 6.16.08	D. EBY 8.18.08



68-026-01	.514	.090	1.250	.031 $\nabla$ .100	GREEN
68-024S-01	.514	.070	1.250	.027 $\nabla$ .050	GOLD
68-024-01	.514	.070	1.250	.027 $\nabla$ .100	GOLD
68-023-01	.514	.090	1.250	.029 $\nabla$ .100	BLACK
68-022-01	.514	.093	1.250	.034 $\nabla$ .100	BROWN
68-020S-01	.514	.094	1.250	.042 $\nabla$ .020	RED
68-020-01	.514	.094	1.250	.042 $\nabla$ .100	RED
68-016-01	.514	.125	1.250	.065 $\nabla$ .100	BLUE
68-012-01	.514	.156	1.250	.097 $\nabla$ .100	YELLOW
68-008-01	.542	.209	1.250	.150 $\nabla$ .100	RED

PART NO.	"A"	$\phi$ "B"	"C"	"D"	COLOR
----------	-----	------------	-----	-----	-------

<p><b>RESTRICTED &amp; CONFIDENTIAL</b></p> <p>CONFIDENTIAL PROPERTY OF DANIELS MANUFACTURING CORP. NOT TO BE DISCLOSED TO OTHERS, REPRODUCED OR USED FOR ANY OTHER PURPOSE, EXCEPT AS AUTHORIZED IN WRITING BY DANIELS MANUFACTURING. MUST BE RETURNED TO DANIELS MANUFACTURING CORP. ON COMPLETION OF ORDER OR OTHER PURPOSE FOR WHICH LENT.</p>	MATERIAL	ITEM	PART NO.	QTY.	DESCRIPTION/REMARKS	
	HEAT TREAT	DRN.	JMC	DATE	2-11-00	
		CHK'D.	JWJ	DATE	2-11-00	
	FINISH	APP'D.		DATE		
APP'D.			DATE			
DO NOT SCALE DRAWING	NOTE:		THIS DRAWING IS AN OUTLINE DRAWING OF THE RESPECTIVE DMC PART NUMBER INDICATED. ACTUAL DMC PART NUMBER IS DRAWING NUMBER WITHOUT THE "-ENV" SUFFIX.			
	WHERE USED:		SIZE	SCALE	CAD P/N	SHEET OF
			B	NTS	68-XXX-01-ENV	1 1
			POSTING	DWG. NO.	68-XXX-01-ENV	REV. 5



DANIELS MANUFACTURING CORP.  
ORLANDO, FLORIDA  
CAGE 11851

TITLE  
TIP, PIN TESTER  
ENVELOPE DRAWING

## X-ON Electronics

Largest Supplier of Electrical and Electronic Components

*Click to view similar products for [Test Accessories - Other category](#):*

*Click to view products by [DMC manufacturer](#):*

Other Similar products are found below :

[AO1026](#) [AO1035](#) [AO1051](#) [AO1059](#) [149116](#) [149118](#) [RS40](#) [RS41](#) [AO1030](#) [AO1032](#) [AO1036](#) [AO1058](#) [4742](#) [KTS288540](#) [11-32-2733](#)  
[00415](#) [00163](#) [PACC-ZD005](#) [PACC-ZD007](#) [700M20TH](#) [628824000](#) [MPT-VF](#) [B3](#) [15010A0A0100M0](#) [B3](#) [15050A0D01A2M0](#) [B3](#)  
[1505A00A01A1M0](#) [B3](#) [15060A0D0100M0](#) [98-CAL020](#) [MO-SCREEN](#) [68-020-01P](#) [CVRF02](#) [CPAK8](#) [RT-ZA19](#) [LCR-OPT-02](#) [1-1437358-1](#)  
[4408](#) [POMONA](#) [DME D110 T1](#) [LMLH 50](#) [FLUKE PM9082/001](#) [85392-12](#) [ST18/SMAM/SMAM/72](#) [HO720](#) [BNC PROBES 310-064](#) [45025](#)  
[45028](#) [CT2300](#) [CC545](#) [VT-1000](#) [CT3041](#) [VS-AVT-CABLE-08](#) [6172A](#)