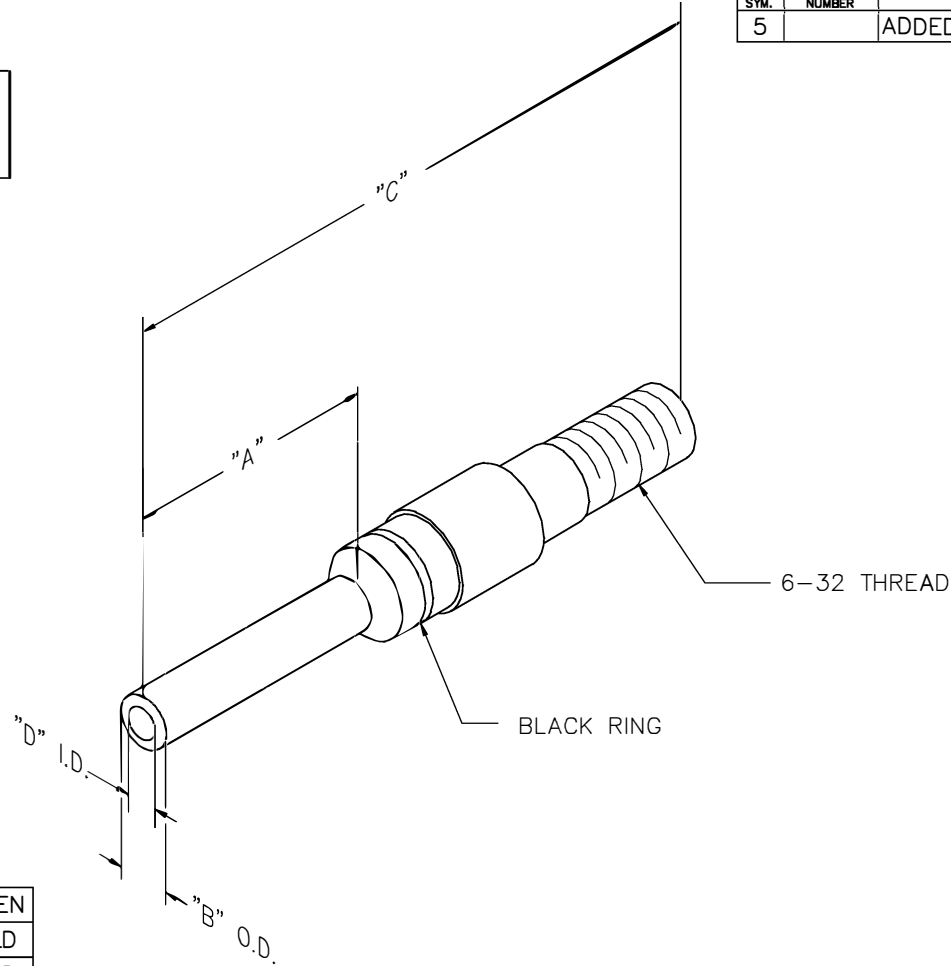


UNCONTROLLED DOCUMENT
WILL NOT BE UPDATED

REVISIONS				
REV. SYM.	E.C.O. NUMBER	DESCRIPTION	BY DATE	APP'D DATE
5		ADDED 68-020S-01	K. KOONS 6.16.08	D. EBY 8.18.08



68-026-01	.514	.090	1.250	.031 ∇ .100	GREEN
68-024S-01	.514	.070	1.250	.027 ∇ .050	GOLD
68-024-01	.514	.070	1.250	.027 ∇ .100	GOLD
68-023-01	.514	.090	1.250	.029 ∇ .100	BLACK
68-022-01	.514	.093	1.250	.034 ∇ .100	BROWN
68-020S-01	.514	.094	1.250	.042 ∇ .020	RED
68-020-01	.514	.094	1.250	.042 ∇ .100	RED
68-016-01	.514	.125	1.250	.065 ∇ .100	BLUE
68-012-01	.514	.156	1.250	.097 ∇ .100	YELLOW
68-008-01	.542	.209	1.250	.150 ∇ .100	RED
PART NO.	"A"	ϕ "B"	"C"	"D"	COLOR

RESTRICTED & CONFIDENTIAL		MATERIAL	ITEM	PART NO.	QTY.	DESCRIPTION/REMARKS		
CONFIDENTIAL PROPERTY OF DANIELS MANUFACTURING CORP. NOT TO BE DISCLOSED TO OTHERS, REPRODUCED OR USED FOR ANY OTHER PURPOSE, EXCEPT AS AUTHORIZED IN WRITING BY DANIELS MANUFACTURING. MUST BE RETURNED TO DANIELS MANUFACTURING CORP. ON COMPLETION OF ORDER OR OTHER PURPOSE FOR WHICH LENT.		HEAT TREAT	DRN.	JMC	DATE	2-11-00		
			CHK'D.	JWJ	DATE	2-11-00		
			APP'D.		DATE			
			APP'D.		DATE			
DO NOT SCALE DRAWING		FINISH	NOTE:			DMC DANIELS MANUFACTURING CORP. ORLANDO, FLORIDA CAGE 11851		
			THIS DRAWING IS AN OUTLINE DRAWING OF THE RESPECTIVE DMC PART NUMBER INDICATED. ACTUAL DMC PART NUMBER IS DRAWING NUMBER WITHOUT THE "-ENV" SUFFIX.				TITLE	
							TIP, PIN TESTER ENVELOPE DRAWING	
							WHERE USED:	
			SIZE	SCALE	CAD P/N	SHEET OF		
			B	NTS	68-XXX-01-ENV	1 1		
			POSTING	DWG. NO.	68-XXX-01-ENV	REV.		
						5		

X-ON Electronics

Largest Supplier of Electrical and Electronic Components

Click to view similar products for [Test Accessories - Other category](#):

Click to view products by [DMC manufacturer](#):

Other Similar products are found below :

[AO1026](#) [AO1035](#) [AO1051](#) [AO1059](#) [149116](#) [149118](#) [RS40](#) [RS41](#) [AO1030](#) [AO1032](#) [AO1036](#) [AO1058](#) [4742](#) [KTS288540](#) [11-32-2733](#)
[00415](#) [00163](#) [PACC-ZD005](#) [PACC-ZD007](#) [700M20TH](#) [628824000](#) [MPT-VF](#) [B3](#) [15010A0A0100M0](#) [B3](#) [15050A0D01A2M0](#) [B3](#)
[1505A00A01A1M0](#) [B3](#) [15060A0D0100M0](#) [98-CAL020](#) [MO-SCREEN](#) [68-020-01P](#) [CVRF02](#) [CPAK8](#) [RT-ZA19](#) [LCR-OPT-02](#) [1-1437358-1](#)
[4408](#) [POMONA](#) [DME D110 T1](#) [LMLH 50](#) [FLUKE PM9082/001](#) [85392-12](#) [ST18/SMAM/SMAM/72](#) [HO720](#) [BNC PROBES 310-064](#) [45025](#)
[45028](#) [CT2300](#) [CC545](#) [VT-1000](#) [CT3041](#) [VS-AVT-CABLE-08](#) [6172A](#)