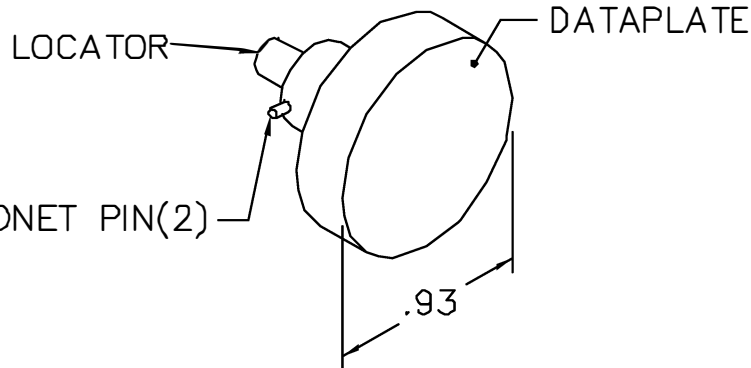
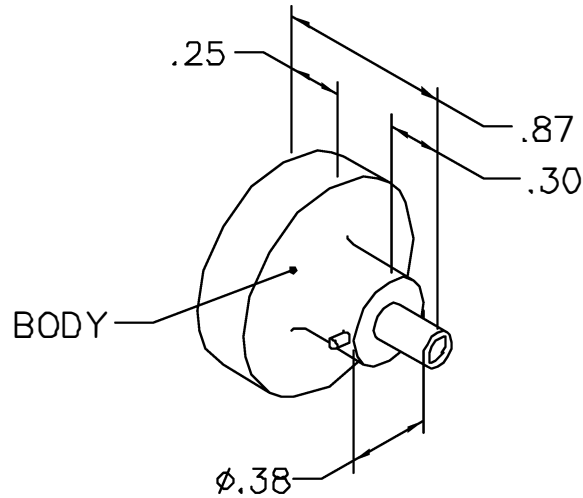


NOTE: FOR USE WITH DANIELS GRIMP TOOLS
ACCOMMODATING "86" SERIES POSITIONERS

| REVISIONS | | | | |
|-----------|---------------|--------------------|----------------|----------------|
| REV. SYM. | E.C.O. NUMBER | DESCRIPTION | BY DATE | APP'D DATE |
| 2 | | REVISED POS INSERT | AAM 1-13-03 | RRR 1-13-03 |

**UNCONTROLLED DOCUMENT
WILL NOT BE UPDATED**



Jupiter

PART NO: JBX 0 OUT LP07

| | | | |
|-----------|----|----|----|
| WIRE SIZE | 22 | 24 | 26 |
| POS. | 6 | 5 | 5 |

USE WITH CONTACT NO:
JBX 0 CT MC07
 $\phi 0.7\text{mm}$ PIN, SIZE 0

| HOLE DIA. | REMARKS |
|------------|--------------|
| $\phi.031$ | $\nabla.377$ |
| $\phi.076$ | $\nabla.20$ |

RESTRICTED & CONFIDENTIAL

CONFIDENTIAL PROPERTY OF DANIELS MANUFACTURING CORP. NOT TO BE DISCLOSED TO OTHERS, REPRODUCED OR USED FOR ANY OTHER PURPOSE, EXCEPT AS AUTHORIZED IN WRITING BY DANIELS MANUFACTURING. MUST BE RETURNED TO DANIELS MANUFACTURING CORP. ON COMPLETION OF ORDER OR OTHER PURPOSE FOR WHICH LENT.

DO NOT SCALE DRAWING

MATERIAL

HEAT TREAT

FINISH

| ITEM | PART NO. | QTY. | DESCRIPTION/REMARKS |
|---------|----------|------------|--|
| DRN. | E. DIAZ | DATE | DANIELS MANUFACTURING CORP. ORLANDO, FLORIDA CAGE 11851 |
| CHK'D. | DE | DATE | |
| APP'D. | | DATE | TITLE ENVELOPE DRAWING POSITIONER WHERE USED: MH860 |
| APP'D. | | DATE | |
| SIZE | | SCALE | CAD P/N |
| A | | NTS | 86-223-ENV |
| POSTING | | P/N | |
| | | 86-223-ENV | |
| SHEET | | | OF |
| 1 | | | 1 |
| REV. | | | |
| | | | 2 |

X-ON Electronics

Largest Supplier of Electrical and Electronic Components

Click to view similar products for [Crimpers / Crimping Tools](#) category:

Click to view products by [DMC](#) manufacturer:

Other Similar products are found below :

[010-0096](#) [M225201-06](#) [M225202-37](#) [6-1579015-5](#) [CT150-6-RH07](#) [622-6441LF](#) [M322](#) [6-304052-1](#) [63456-0054](#) [63484-3701](#) [63800-8355](#)
[63819-1875](#) [63819-2875](#) [63819-4475](#) [63823-3475](#) [63827-5375](#) [64001-0975](#) [64001-4175](#) [64005-0175](#) [662903-2](#) [690602-6](#) [7-1579001-9](#) [7-](#)
[23471-1](#) [762637-1](#) [808714-1](#) [811242-5](#) [999-50-020083](#) [1-21002-3](#) [1-21002-7](#) [12085270](#) [1-21002-6](#) [1-21113-6](#) [1-22548-4](#) [125442-1](#)
[DCE.91.073.BVC](#) [DCE.91.090.3MVM](#) [DCE.91.130.5MVU](#) [DCE.91.202.BVCM](#) [1338300-1](#) [1-354003-0](#) [1338301-1](#) [DF62/RE-MD](#) [142321](#)
[1456088-1](#) [1490794-1](#) [1-45804-6](#) [1490357-2](#) [1490357-3](#) [AX100749](#) [1-59619-7](#)