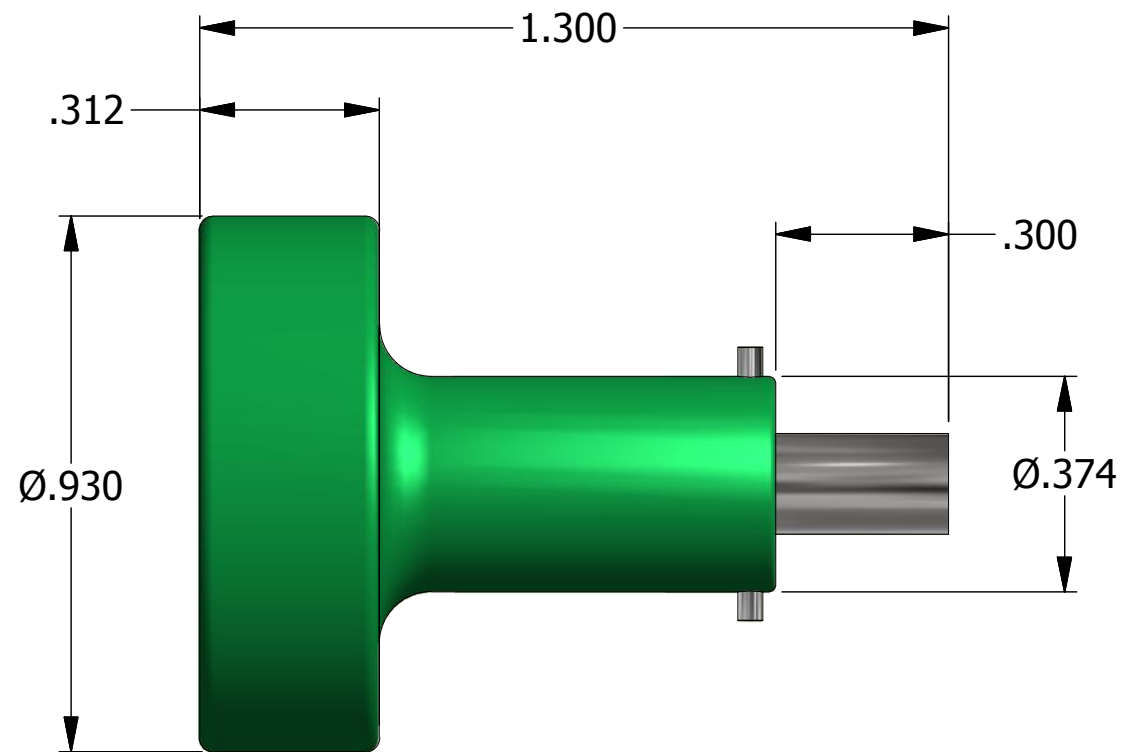


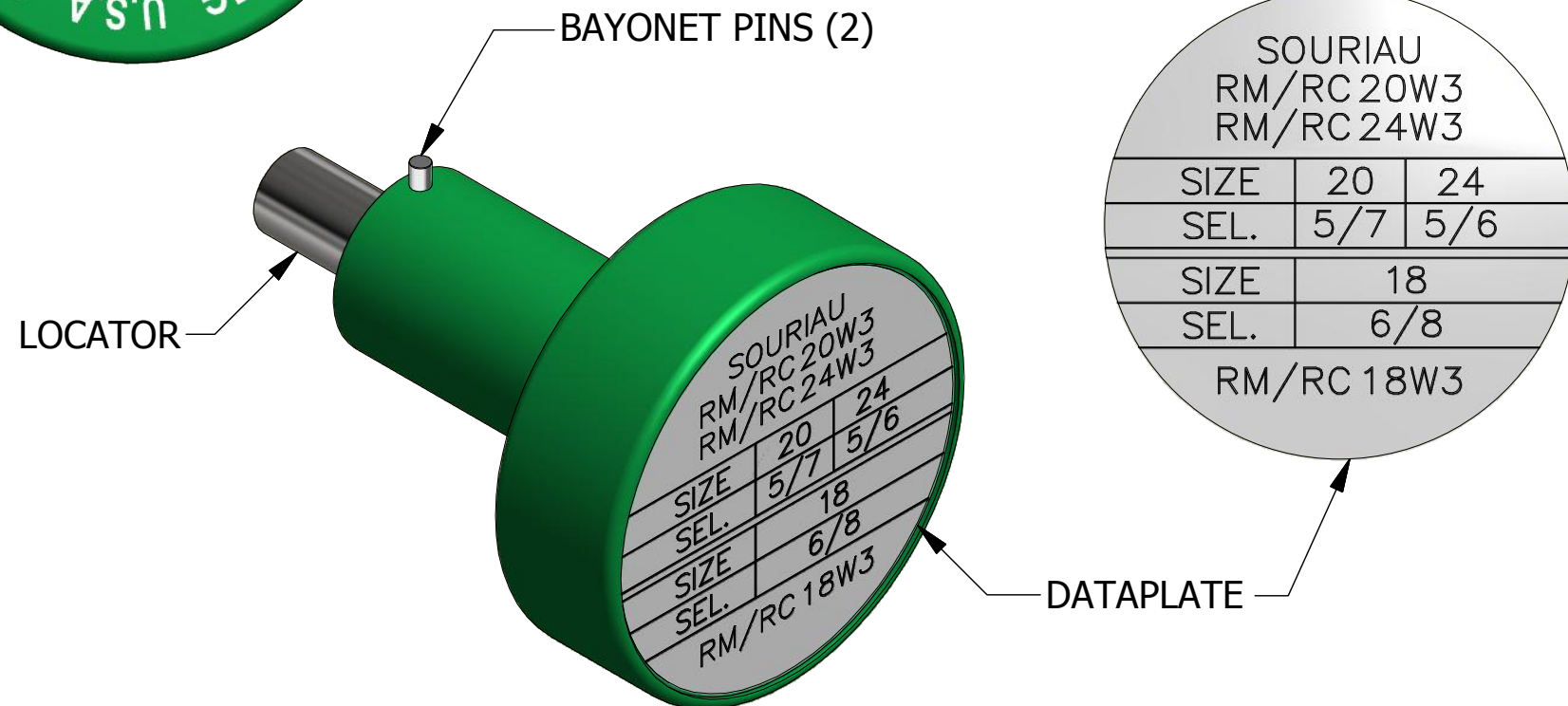
REVISIONS

| REV | ECO NO. | DESCRIPTION | BY | DATE | APP'D BY | DATE |
|-----|---------|---|-------|-----------|----------|----------|
| 1 | | ORIGINAL RELEASE | JWJ | 5/4/2005 | RRR | 5/4/2005 |
| 2 | 23854 | DATAPLATE UPDATED ADDED SEL. SETTING TABLE | TonyD | 5/29/2015 | RRR | 6/1/2015 |



| LOCATOR | |
|-----------------|---------------------|
| HOLE DIMENSIONS | ADDITIONAL FEATURES |
| Ø.045 ▽THRU | └┐Ø.120 ▽.616 |

| SELECTOR SETTINGS | | |
|-------------------|-----------|----------|
| CONTACT | WIRE SIZE | SEL. No. |
| RM/RC24W3 | 26 | 5 |
| | 24 | 6 |
| RM/RC20W3 | 22 | 5 |
| | 20 | 7 |
| RM/RC18W3 | 20 | 6 |
| | 18 | 8 |



**UNCONTROLLED DOCUMENT
WILL NOT BE UPDATED**
DIMENSIONS IN INCHES - UNLESS OTHERWISE SPECIFIED

| MATERIAL | ITEM | PART NO. | QTY. | DESCRIPTION / REMARKS |
|--|-------------------------|-----------------------|------|--|
| N/A | DRN. J. JOYCE CHK'D. | DATE 5/4/2005 DATE | | DMC DANIELS MANUFACTURING CORP. ORLANDO, FLORIDA CAGE 11851 |
| RESTRICTED & CONFIDENTIAL CONFIDENTIAL PROPERTY OF DANIELS MANUFACTURING CORP. NOT TO BE DISCLOSED TO OTHERS. REPRODUCTION OR USED FOR ANY OTHER PURPOSE EXCEPT AS AUTHORIZED IN WRITING BY DANIELS MANUFACTURING. MUST BE RETURNED TO DANIELS MANUFACTURING CORP. ON COMPLETION OF ORDER OR PURPOSES FOR WHICH LENT. | HEAT TREAT | N/A | | NOTE: THIS DRAWING IS AN OUTLINE DRAWING OF THE RESPECTIVE DMC PART NUMBER INDICATED. ACTUAL DMC PART NUMBER IS CAD PART NUMBER WITHOUT THE "-ENV" SUFFIX |
| CREATED FROM AN INVENTOR MODEL. CHANGES MUST BE REFLECTED IN THE 3D PART | FINISH | N/A | | TITLE POSITIONER ENVELOPE DRAWING WHERE USED: MH860 |
| DO NOT SCALE DRAWING | | | | SIZE B SCALE 3:1 CAD P/N 86-301-ENV SHEET 1 OF 1 DWG. NO. 86-301 REV. 2 |

X-ON Electronics

Largest Supplier of Electrical and Electronic Components

Click to view similar products for [Crimpers / Crimping Tools](#) category:

Click to view products by [DMC](#) manufacturer:

Other Similar products are found below :

[010-0096](#) [M225201-06](#) [M225202-37](#) [6-1579015-5](#) [CT150-6-RH07](#) [622-6441LF](#) [M322](#) [6-304052-1](#) [63456-0054](#) [63484-3701](#) [63800-8355](#)
[63819-1875](#) [63819-2875](#) [63819-4475](#) [63823-3475](#) [63827-5375](#) [64001-0975](#) [64001-4175](#) [64005-0175](#) [662903-2](#) [690602-6](#) [7-1579001-9](#) [7-](#)
[23471-1](#) [762637-1](#) [808714-1](#) [811242-5](#) [999-50-020083](#) [1-21002-3](#) [1-21002-7](#) [12085270](#) [1-21002-6](#) [1-21113-6](#) [1-22548-4](#) [125442-1](#)
[DCE.91.073.BVC](#) [DCE.91.090.3MVM](#) [DCE.91.130.5MVU](#) [DCE.91.202.BVCM](#) [1338300-1](#) [1-354003-0](#) [1338301-1](#) [DF62/RE-MD](#) [142321](#)
[1456088-1](#) [1490794-1](#) [1-45804-6](#) [1490357-2](#) [1490357-3](#) [AX100749](#) [1-59619-7](#)