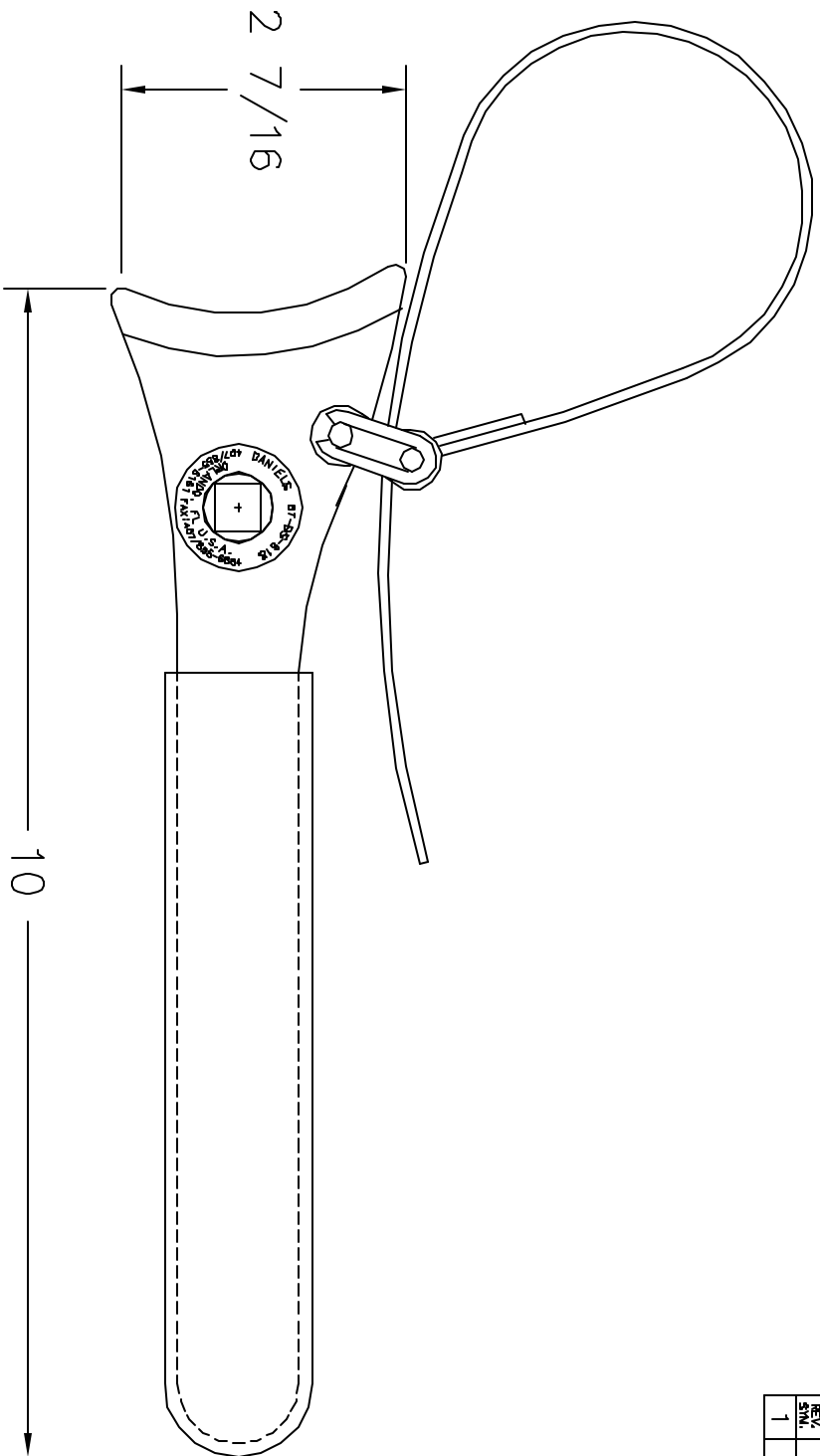


REVISIONS			
REV. NUMBER	ETCD NUMBER	DESCRIPTION	BY DATE DATE DATE
1		ORIGINAL RELEASE	8/4/98 8/4/98



**UNCONTROLLED DOCUMENT
WILL NOT BE UPDATED**

1. REPLACEMENT STRAPS;
 P/N BT-A-6185 (1" WIDE)
 P/N BT-A-6190 (3/4" WIDE)

NOTES:

RESTRICTED & CONFIDENTIAL		DO NOT SCALE DRAWING	
CONFIDENTIAL PROPERTY OF DANIELS MANUFACTURING CORP. NOT TO BE REPRODUCED OR COPIED IN ANY MANNER WITHOUT THE WRITTEN PERMISSION OF DANIELS MANUFACTURING CORP. IN COMPLIANCE WITH THE "DMV" SUFFIX.		MATERIAL HEAT TREAT FINISH	
ITEM DMC DVC QTY.	PART NO. DATE DATE DATE	QTY. DATE DATE DATE	DESCRIPTION/REMARKS DANIELS MANUFACTURING CORP. ORLANDO, FLORIDA CASE 1789T
TITLE STRAP WRENCH ENVELOPE DRAWING		WIRE USED SIZE SCALE POSTING	Dwg P/N BT-BS-618-ENV DMC N/A BT-BS-618-ENV
NOTE: THIS DRAWING IS AN OUTLINE DRAWING OF THE RESPECTIVE DIMS PART NUMBER INDICATED BY THE PART NUMBER WITHIN THE "DMV" SUFFIX.		SHEET OF 1 REV 1	

X-ON Electronics

Largest Supplier of Electrical and Electronic Components

Click to view similar products for [Spanners](#) category:

Click to view products by [DMC](#) manufacturer:

Other Similar products are found below :

[74005](#) [74008](#) [1406504-3](#) [1406504-4](#) [1406504-5](#) [1406504-7](#) [1725859-2](#) [9965](#) [999-16625-001](#) [G70515-18](#) [1055265-1](#) [1055267-1](#) [1-1406504-0](#) [1055787-1](#) [DCH.91.251.PA](#) [TG70-18](#) [TG70](#) [G62748-11](#) [DPH.99.005.2K](#) [DCP.91.045.TN](#) [1055512-1](#) [1055276-1](#) [R282303020](#) [TA-0456](#) [DCA.91.149.0TN](#) [TA-0436](#) [TA-0398](#) [TOL-222901](#) [74_Z-0-0-193](#) [294GB-5069-17-N](#) [74_Z-0-0-2](#) [523200-4](#) [294GB-5070-25-A](#) [74_Z-0-0-79](#) [294GB-5070-17-A](#) [74_Z-0-0-321](#) [TOL-171801](#) [PR23350](#) [1490262-2](#) [9968](#) [AC24VS](#) [80117](#) [DCN.91.149.0TK](#) [BT-A-6010CAGE](#) [R282340000](#) [BT-BS-609WT](#) [BT-A-6000B](#) [R282303000](#) [BT-BS-610R](#) [BT-BS-610RT](#)