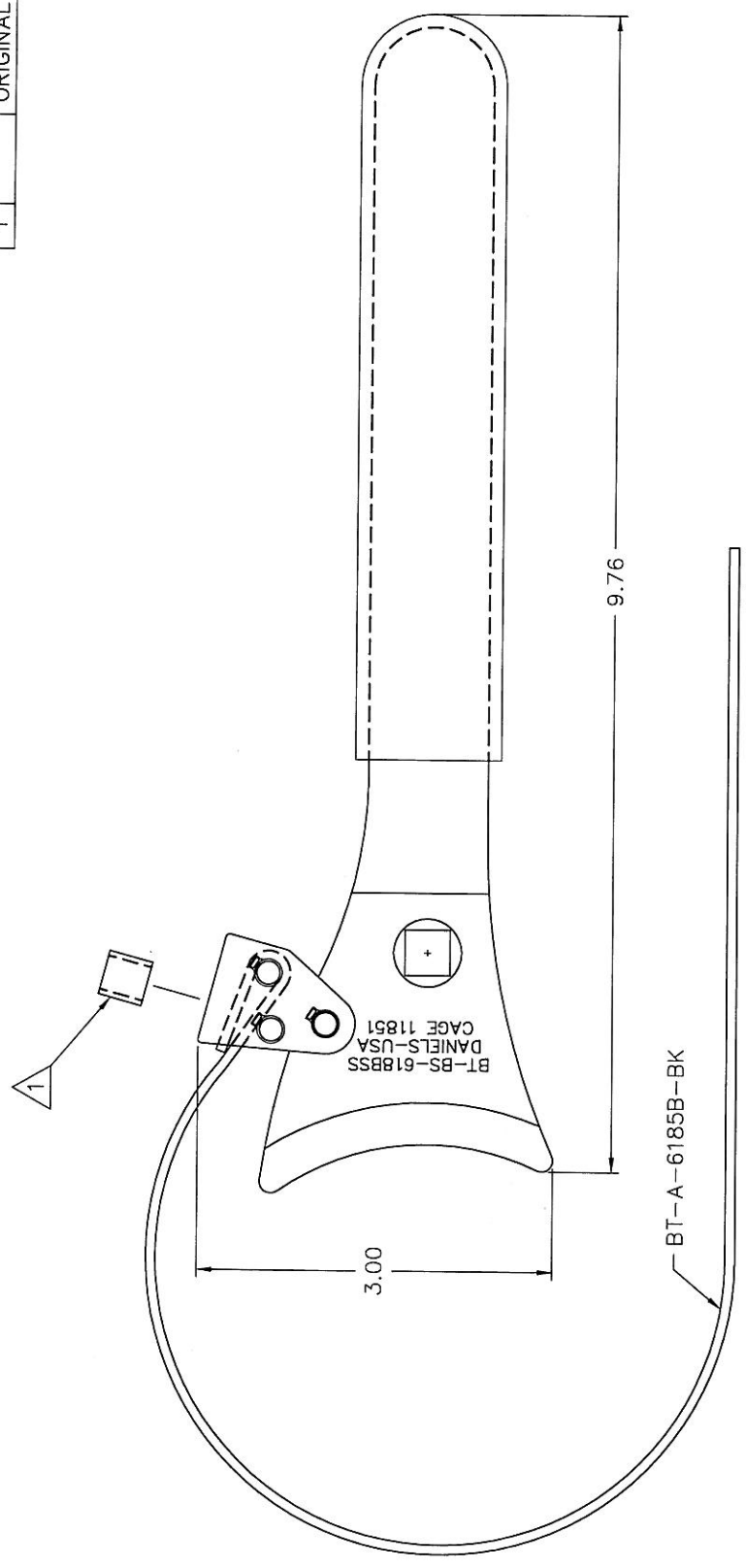



| REVISIONS | | | |
|-----------|---------------|------------------|--------------------|
| REV. SYM. | E.C.O. NUMBER | DESCRIPTION | BY DATE |
| 1 | | ORIGINAL RELEASE | RRR 9/18/03 |
| | | | APP'D DATE 9/19/03 |



**UNCONTROLLED DOCUMENT
WILL NOT BE UPDATED
DIMENSIONS IN INCHES - UNLESS OTHERWISE SPECIFIED**

1. TIGHTEN SET SCREW BY HAND BUT DO NOT OVERTIGHTEN.

NOTES:

| ITEM | PART NO. | QTY. | DESCRIPTION/REMARKS |
|------------------------------------------------------------------------------------------------------------------------------------------------------------------------------------------------------------------------------------------------------------------------------------------------------------------------------------------------------------------------|--------------|------|------------------------------------------------------------------------------------------------------------------------------------------------------|
| DRN. J. JOYCE | DATE 9/19/03 | |  DANIELS MANUFACTURING CORP. ORLANDO, FLORIDA CAGE 11851 |
| CHK'D. RRR | DATE 9/18/03 | | |
| APP'D. | DATE | | |
| APP'D. | DATE | | |
| MATERIAL HEAT TREAT FINISH | | | TITLE STRAP WRENCH ASSEMBLY ENVELOPE DRAWING |
| RESTRICTED & CONFIDENTIAL CONFIDENTIAL PROPERTY OF DANIELS MANUFACTURING CORP. NOT TO BE DISCLOSED TO OTHERS. REPRODUCED OR TRANSMITTED IN ANY FORM OR BY ANY MEANS, ELECTRONIC OR MECHANICAL, WITHOUT PERMISSION IN WRITING BY DANIELS MANUFACTURING CORP. MUST BE RETURNED TO DANIELS MANUFACTURING CORP. ON COMPLETION OF ORDER OR OTHER PURPOSE FOR WHICH LENT. | | | WHERE USED: SIZE B SCALE NTS POSTING |
| DO NOT SCALE DRAWING | | | THIS DRAWING IS AN OUTLINE DRAWING. INDICATIVE DMC PART NUMBER IS INDICATED. ACTUAL DMC PART NUMBER IS DRAWING NUMBER WITHOUT THE "-ENV" SUFFIX. |
| | | | SHEET 1 OF 1 CAD P/N BT-BS-618BSS-ENV DWG. NO. BT-BS-618BSS-ENV REV. 1 |

X-ON Electronics

Largest Supplier of Electrical and Electronic Components

Click to view similar products for [Spanners](#) category:

Click to view products by [DMC](#) manufacturer:

Other Similar products are found below :

[74005](#) [74008](#) [1406504-3](#) [1406504-4](#) [1406504-5](#) [1406504-7](#) [1725859-2](#) [9965](#) [999-16625-001](#) [G70515-18](#) [1055265-1](#) [1055267-1](#) [1-1406504-0](#) [1055787-1](#) [DCH.91.251.PA](#) [TG70-18](#) [TG70](#) [G62748-11](#) [DPH.99.005.2K](#) [DCP.91.045.TN](#) [1055512-1](#) [1055276-1](#) [R282303020](#) [TA-0456](#) [DCA.91.149.0TN](#) [TA-0436](#) [TA-0398](#) [TOL-222901](#) [74_Z-0-0-193](#) [294GB-5069-17-N](#) [74_Z-0-0-2](#) [523200-4](#) [294GB-5070-25-A](#) [74_Z-0-0-79](#) [294GB-5070-17-A](#) [74_Z-0-0-321](#) [TOL-171801](#) [PR23350](#) [1490262-2](#) [9968](#) [AC24VS](#) [80117](#) [DCN.91.149.0TK](#) [BT-A-6010CAGE](#) [R282340000](#) [BT-BS-609WT](#) [BT-A-6000B](#) [R282303000](#) [BT-BS-610R](#) [BT-BS-610RT](#)