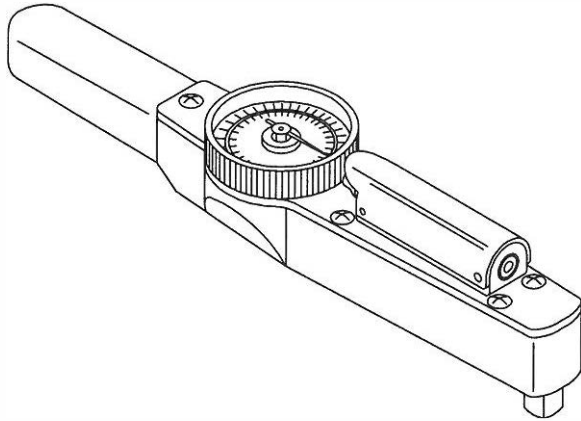


BT-ST-751 TORQUE WRENCH

SEE PAGE 4 FOR IMPORTANT INFORMATION CONCERNING LIMITED WARRANTY, AND LIMITATION OF LIABILITY.



OPERATING INSTRUCTIONS

PLEASE READ BEFORE USE!

- Precision Dial Torque Wrench
- Electric Signal Light
- 0–200 in. lb. torque range
- Increment markings of 5 in. lb.
- 3/8" drive

The BT-ST-751 Torque Wrench has the precision accuracy of a standard dial torque wrench, with the added feature of an electric signal light for torque limiting. The accuracy of this wrench is $\pm 4\%$ between 40in-lbs and 200in-lbs. Accuracy is not controlled below 40in-lbs.

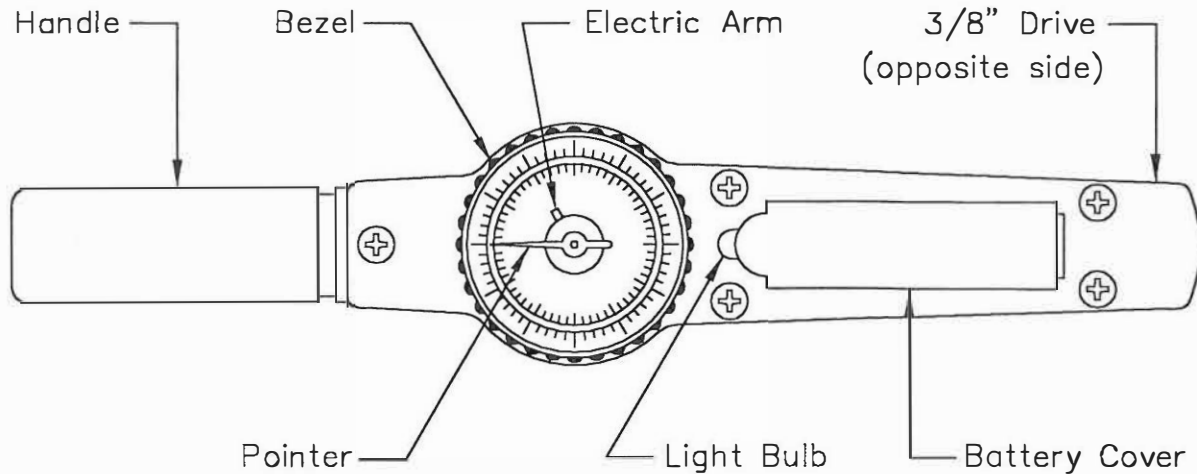
The light signals the user when the preset torque value has been reached, eliminating the necessity of watching the dial during the torque operation.

The Torque Wrench can also be used as a hand held static torque meter. Instead of turning the Torque Wrench to tighten one part onto another, the Torque Wrench is held stationary as a meter and another tool is used to tighten the parts.

OPERATION AND SETTING OF ELECTRIC SIGNAL DIAL

Method 1: Setting Electric Arm at desired torque value.

Certification: This Torque Tool, as calibrated at the factory, is certified to meet or exceed accuracy specified in the Federal Specification GGG-W-00686C and was calibrated on a torque standard that is traceable to the National Bureau of Standards.



Note: For consistency and accuracy it is suggested that this torque tool be dedicated for use in one direction only. Should this not be practical for your application the following procedure should be followed for initial setting or when changing direction. It is recommended that the tool be operated 3 or 4 times at half load in the torque direction that will be used. Full load may now be applied for your application.

Right-Hand Torque (force in clockwise direction):

1. Turn the bezel counterclockwise (CCW) until light goes on.
2. Continue to turn counterclockwise (CCW) and set pointer to the desired torque value.
3. Now, turn bezel clockwise (CW) until pointer is aligned with zero (0).
4. When preset as stated above, the signal light goes on when the applied torque equals the wrench setting.
5. When pressure on the wrench is released, the pointer will return to zero (0).
6. The wrench can be used for repetitive operations without resetting provided the torque on the wrench is released as soon as the signal light goes on. If torque is continued after the light goes on, the wrong torque (over torque) will be applied and the wrench will have to be reset. If in doubt, always reset.

Left-Hand Torque (force in counterclockwise direction):

Proceed as explained for right hand torque except turn bezel clockwise (CW) until light goes on and pointer is aligned with zero (0). Then, turn counterclockwise (CCW) to desired torque value.

Method 2: Setting Electric Arm at zero.

Right-Hand Torque (force in clockwise direction):

1. Turn bezel counterclockwise (CCW) until light goes on.
2. Continue to turn bezel counterclockwise (CCW) until zero (0) of scale is lined up with pointer.
3. Now, turn bezel clockwise (CW) until light goes off and pointer is aligned with the desired torque value. Pointer is now preset to a desired torque.
4. Apply force in clockwise (CW) direction. The preset torque is reached when the light goes on. When force is released the pointer will return to the torque value.
5. To change the preset torque to another value, return to Step 1.
6. Important – always make sure the electric contact arm is zeroed.

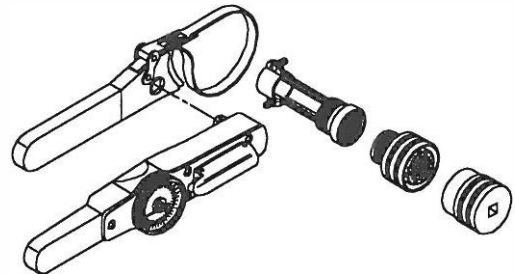
Left-Hand Torque (force in counterclockwise direction):

Proceed as explained for right hand torque except turn bezel clockwise (CW) until light goes on and pointer is aligned with inner zero. Then turn counterclockwise (CCW) to set pointer to desire torque value.

Instructions for Torque Wrench with additional Beta Tools, when used with Circular Connectors and their Accessories.

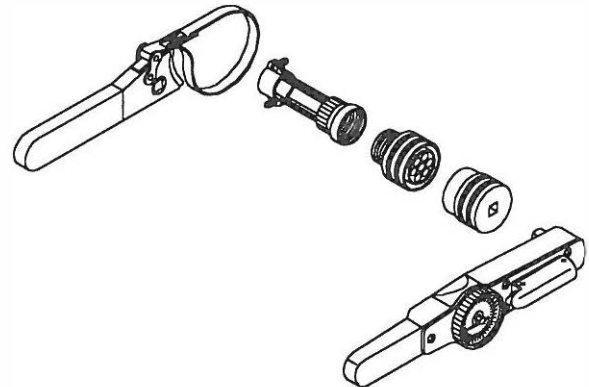
Method A:

The connector is held stationary while the accessory is tightened onto the connector to a specified torque value utilizing the Torque Wrench engaged in the Daniels Strap Wrench.



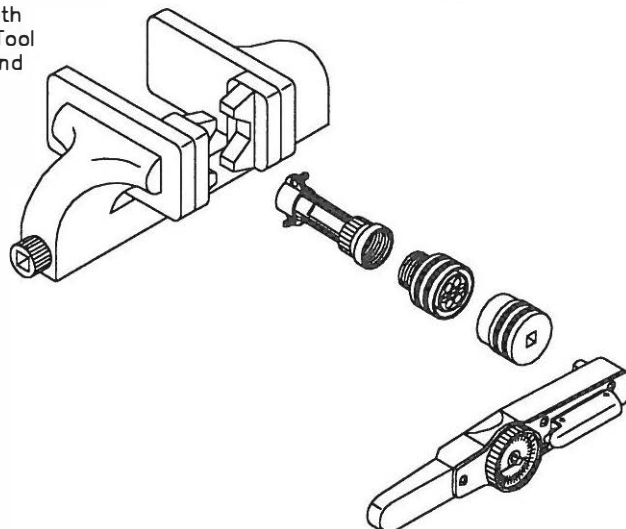
Method B:

The Torque Wrench is used with the Adaptor Tool for tightening the accessory to a specified torque value, but used in a static fashion. The accessory is tight-need onto the connector plug with the Daniels Strap Wrench. The preset Torque Wrench signals when the specified torque value has been reached.



Method C:

The accessory is held stationary with the Vise's rubber jaws. The Adaptor Tool is then inserted into the connector and tightened to a specified torque value utilizing the Torque Wrench.



Replacement Battery and Bulb:

1. Bulb, G.E. No. 112, 1.2 V, .22 A, or equivalent
2. Battery: AA, 1.5 V or equivalent
3. Replace bulb without opening the lid. Check for light by turning the bezel until contact is made.
4. To replace battery, open the lid and loosen the bulb. Place the new battery into the housing and tighten the bulb. Check the light by turning the bezel until contact is made.

Daniels Manufacturing Corporation offers complete refurbishing and recalibration services. DMC specially engineers and manufactures complete tool kits to satisfy individual customer requirements, such as total aircraft support, general shop maintenance or production, on board ship and vehicle service, etc.

LIMITATION OF LIABILITY

DANIELS MANUFACTURING CORPORATION IS NOT LIABLE FOR CONSEQUENTIAL OR SPECIAL DAMAGES OF ANY NATURE OR KIND RESULTING FROM THE USE, OR MISUSE, OF ANY OF ITS PRODUCTS. OWNERS AND USERS OF DMC PRODUCTS ASSUME FULL RESPONSIBILITY FOR INSTRUCTING THEIR EMPLOYEES IN THE PROPER AND SAFE USE OF SUCH PRODUCTS.

LIMITED WARRANTY

DMC (Daniels Manufacturing Corporation) warrants each new product sold by it to be free from defects in material and workmanship under normal use and service. DMC's obligation under this warranty is limited to the free correction or, at DMC's option, the refund of the purchase price of any such product which proves defective in normal service within ninety (90) days after delivery to the first user, provided that the product is returned to DMC with all transportation charges prepaid and which shall appear to DMC's satisfaction, after DMC's inspection, to have been defective in material or workmanship, it being understood that DMC products are not consumer products. This warranty shall not cover any damage to any product which, in the opinion of DMC, was caused by normal wear, misuse, improper operation, tampering, neglect or accident. This warranty is in lieu of all other warranties express or implied. No warranty, express or implied, is made or authorized to be made or assumed with respect to products of Daniels Manufacturing Corporation other than those herein set forth.

X-ON Electronics

Largest Supplier of Electrical and Electronic Components

Click to view similar products for [Crimpers / Crimping Tools](#) category:

Click to view products by [DMC](#) manufacturer:

Other Similar products are found below :

[010-0096](#) [M225201-06](#) [M225202-37](#) [6-1579015-5](#) [CT150-6-RH07](#) [622-6441LF](#) [M322](#) [6-304052-1](#) [63456-0054](#) [63484-3701](#) [63800-8355](#)
[63819-1875](#) [63819-2875](#) [63819-4475](#) [63823-3475](#) [63827-5375](#) [64001-0975](#) [64001-4175](#) [64005-0175](#) [662903-2](#) [690602-6](#) [7-1579001-9](#) [7-](#)
[23471-1](#) [762637-1](#) [808714-1](#) [811242-5](#) [999-50-020083](#) [1-21002-3](#) [1-21002-7](#) [12085270](#) [1-21002-6](#) [1-21113-6](#) [1-22548-4](#) [125442-1](#)
[DCE.91.073.BVC](#) [DCE.91.090.3MVM](#) [DCE.91.130.5MVU](#) [DCE.91.202.BVCM](#) [1338300-1](#) [1-354003-0](#) [1338301-1](#) [DF62/RE-MD](#) [142321](#)
[1456088-1](#) [1490794-1](#) [1-45804-6](#) [1490357-2](#) [1490357-3](#) [AX100749](#) [1-59619-7](#)