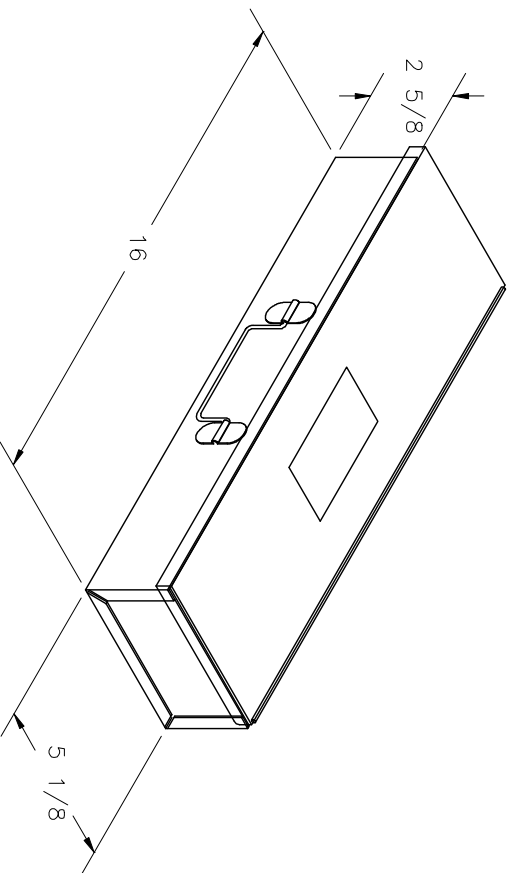
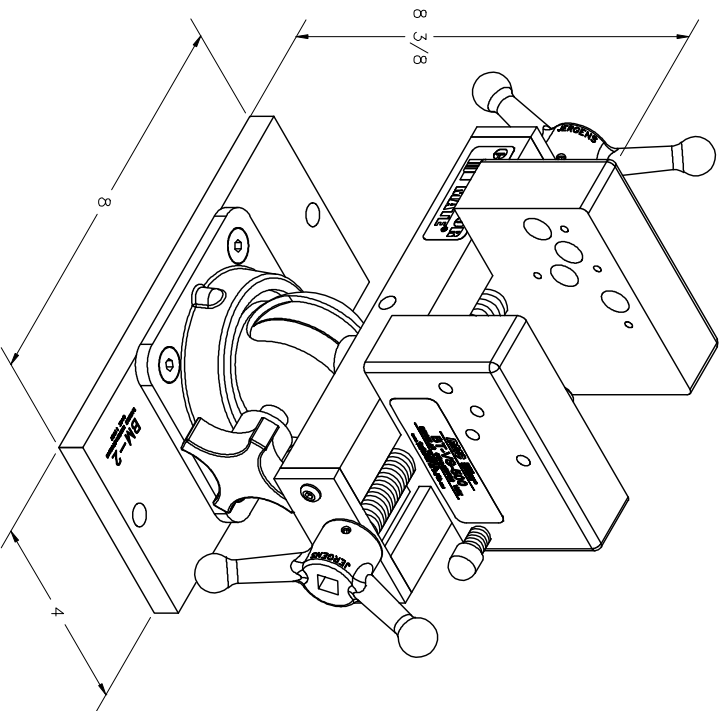


REVISIONS				
REV. SYM.	E.O.D. NUMBER	DESCRIPTION	BY DTM	APPD DATE
1		ORIGINAL RELEASE	DTM 3/23/99	JML 3/23/99
2		BM-2 WAS BM-3	TD 2/2/09	



**UNCONTROLLED DOCUMENT  
WILL NOT BE UPDATED**

RESTRICTED & CONFIDENTIAL  
 CONFIDENTIAL PROPERTY OF DANIELS MANUFACTURING CORP. NOT TO BE DISCLOSED OR USED FOR ANY OTHER PURPOSE EXCEPT AS AUTHORIZED IN WRITING BY DANIELS MANUFACTURING. MUST BE RETURNED TO DANIELS MANUFACTURING CORP. ON COMPLETION OF ORDER OR PURCHASE FOR WHICH INT.

DO NOT SCALE DRAWING

MATERIAL		ITEM		PART NO.		QTY.		DESCRIPTION/REMARKS	
HEAT TREAT		DTM	DATE	DTM	DATE			DANIELS MANUFACTURING CORP. ORLANDO, FLORIDA CAGE 11851	
FINISH		CHK'D.	DATE	JWJ	DATE				
		APP'D.	DATE		DATE				
		NOTE: THIS DRAWING IS AN OUTLINE DRAWING OF THE RESPECTIVE INDICATED. ACTUAL DIM PART NUMBER AND DRAWING THE "-ENV" SUFFIX.							
		WHERE USED:		SCALE		CAD P/N		SHEET	
		B		1/4		BT-VS-511-ENV		1	
		POSTING				BT-VS-511-ENV		REV	
								2	

## X-ON Electronics

Largest Supplier of Electrical and Electronic Components

*Click to view similar products for [PCB Holders & Vices](#) category:*

*Click to view products by [DMC](#) manufacturer:*

Other Similar products are found below :

[510](#) [510-R](#) [318-30](#) [513-C](#) [T0051502699N](#) [318-18](#) [337](#) [670-A](#) [343](#) [344](#) [346](#) [352](#) [353](#) [358](#) [366](#) [371](#) [376](#) [380](#) [385](#) [396](#) [502](#) [506](#) [507](#) [510](#)  
[511](#) [513](#) [17010](#) [570](#) [328](#) [346NM](#) [400](#) [437](#) [510](#) [204](#) [239](#) [MC24588](#) [MC23780](#) [513-A](#) [510-A](#) [301](#) [303](#) [304](#) [305](#) [308](#) [311](#) [312](#) [797-14](#) [883-](#)  
[06](#) [845-246](#) [327-12](#)