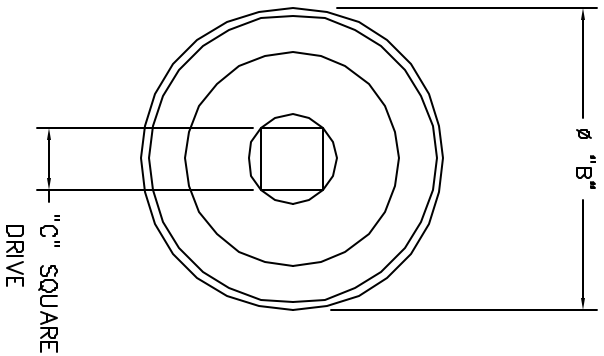
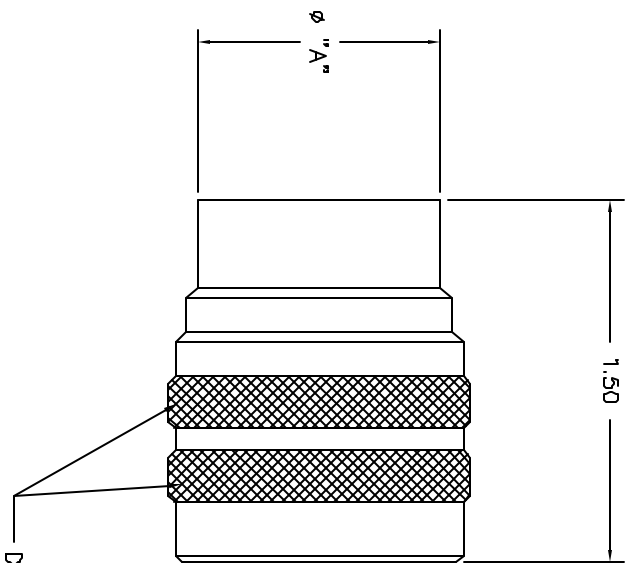


REV.	REV. NUMBER	EGIT NUMBER	DESCRIPTION	BR. DATE	APPR. DATE
1			ORIGINAL RELEASE	B-12-84	B-12-84



PART NO.	DIM. "A"	DIM. "B"	DIM. "C"	KEYING POSITION
CM389T-25B	1.559	1.750	3/8	C,D,E
CM389T-25A				N,A,B
CM389T-23B	1.434	1.625	3/8	C,D,E
CM389T-23A				N,A,B
CM389T-21B	1.309	1.500	3/8	C,D,E
CM389T-21A				N,A,B
CM389T-19B	1.184	1.375	3/8	C,D,E
CM389T-19A				N,A,B
CM389T-17B	1.082	1.250	.25	C,D,E
CM389T-17A				N,A,B
CM389T-15B	0.948	1.125	.25	A,B,C
CM389T-15A				N,D,E
CM389T-13B	.823	1.000	.25	A,B,C
CM389T-13A				N,D,E
CM389T-11B	.689	.875	.25	A,B,C
CM389T-11A				N,D,E
CM389T-9B	.573	.812	.25	A,B,E
CM389T-9A				N,C,D

**UNCONTROLLED DOCUMENT
WILL NOT BE UPDATED**

1. FOR MIL-C-38999 SERIES 3 PLUGS.
NOTES:

RESTRICTED & CONFIDENTIAL		MATERIAL		ITEM		PART NO.		QTY.		DESCRIPTION/REMARKS	
CONFIDENTIAL PROPERTY OF DANIELS MANUFACTURING COMPANY. THIS DRAWING IS NOT TO BE REPRODUCED OR USED FOR ANY OTHER PURPOSE EXCEPT AS AUTHORIZED IN WRITING BY DANIELS MANUFACTURING. MUST BE RETURNED TO DANIELS MANUFACTURING COMPANY UPON COMPLETION OF ORDER OR OTHER PURPOSE FOR WHICH LENT.		HEAT TREAT		BRN.	JBP	DATE	P-12-84	ADAPTOR TOOL SET (ALUM) ENVELOPE DRAWING			
		FINISH		CH'D.	BG	DATE	P-12-84				
DO NOT SCALE DRAWING				APPR'D.	US	DATE	P-84	WEIRD USED		CAD P/N	SHEET 1 OF 1
				APPR'D.	DATE			SCALE		CM-S-389T-ENV	REV. 1
				FORMING		P/N		CM-S-389T-ENV			

X-ON Electronics

Largest Supplier of Electrical and Electronic Components

Click to view similar products for [Hand Tools](#) category:

Click to view products by [DMC](#) manufacturer:

Other Similar products are found below :

[58284-1](#) [662908-1](#) [68764-0001](#) [690619-6](#) [D20419-189](#) [7-354778-7](#) [768531-1](#) [821903-5](#) [822253-1](#) [854183-1](#) [854358-1](#) [992258-1](#) [1-21046-3](#)
[1-22278-0](#) [1-22278-2](#) [1-24954-2](#) [125529-5](#) [126513-1](#) [1320846-1](#) [1338618-1](#) [1338968-2](#) [1-354779-0](#) [1-354779-2](#) [1-354779-4](#) [1424443-1](#)
[1424289-1](#) [1424444-1](#) [MS24256A16](#) [1-525442-0](#) [1532195-2](#) [1538773-2](#) [1-59681-8](#) [1-59907-5](#) [1-692134-3](#) [1725760-1](#) [HT-920A-124-](#)
[HTELE-RPL-KIT](#) [1976923-1](#) [1976969-1](#) [2063794-1](#) [2063795-1](#) [2-21002-1](#) [2-21002-3](#) [2-21002-4](#) [2-21002-7](#) [2-21002-9](#) [2-21004-0](#) [229399-](#)
[2](#) [229707-1](#) [911737-2](#) [2598-5027-54](#)