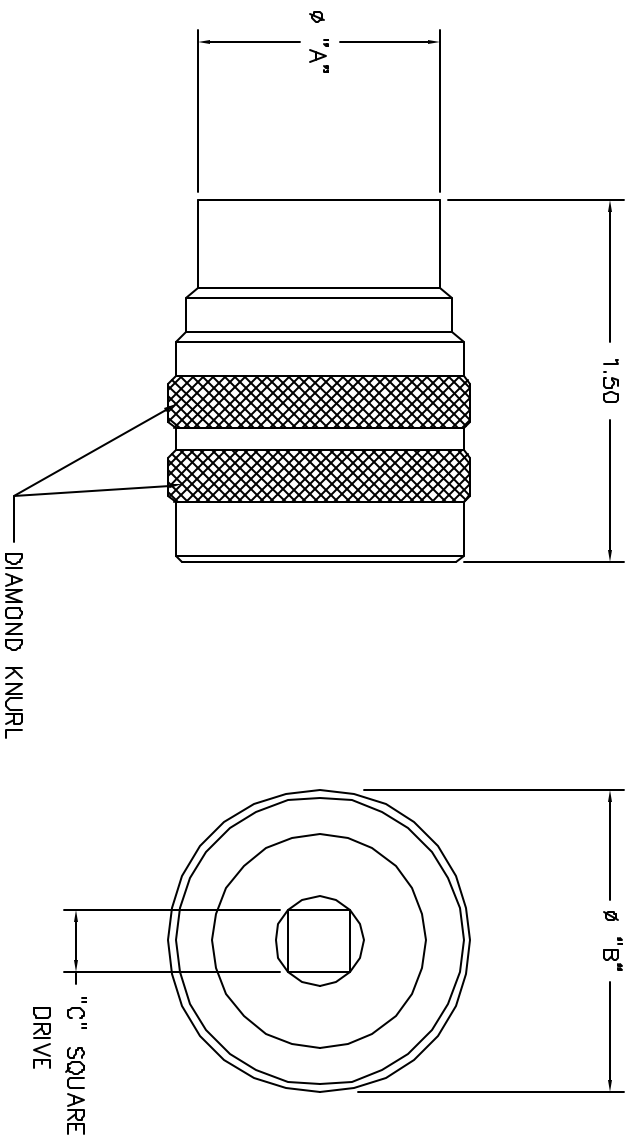


REV.	REV. NUMBER	DATE	BY	APPROVED
1				

REV. NO.	DESCRIPTION	DATE	BY	APPROVED
1	ORIGINAL RELEASE			



PART NO.	DIM. "A"	DIM. "B"	DIM. "C"	KEYING POSITION
CM389T-25B	1.559	1.750	3/8	C,D,E
CM389T-25A				N,A,B
CM389T-23B	1.434	1.625	3/8	C,D,E
CM389T-23A				N,A,B
CM389T-21B	1.309	1.500	3/8	C,D,E
CM389T-21A				N,A,B
CM389T-19B	1.184	1.375	3/8	C,D,E
CM389T-19A				N,A,B
CM389T-17B	1.082	1.250	.25	C,D,E
CM389T-17A				N,A,B
CM389T-15B	0.948	1.125	.25	A,B,C
CM389T-15A				N,D,E
CM389T-13B	.823	1.000	.25	A,B,C
CM389T-13A				N,D,E
CM389T-11B	.689	.875	.25	A,B,C
CM389T-11A				N,D,E
CM389T-9B	.573	.812	.25	A,B,E
CM389T-9A				N,C,D

**UNCONTROLLED DOCUMENT  
WILL NOT BE UPDATED**

1. FOR MIL-C-38999 SERIES 3 PLUGS.  
NOTES:

RESTRICTED & CONFIDENTIAL		MATERIAL		ITEM		PART NO.		QTY.		DESCRIPTION/REMARKS	
CONFIDENTIAL PROPERTY OF DANIELS MANUFACTURING CO. THIS DRAWING IS NOT TO BE REPRODUCED OR USED FOR ANY OTHER PURPOSE EXCEPT AS AUTHORIZED IN WRITING BY DANIELS MANUFACTURING. MUST BE RETURNED TO DANIELS MANUFACTURING CO. WITH NAME OF ORDER OR OTHER PURPOSE FOR WHICH LENT.		HEAT TREAT		BRN.	JBP	DATE	P-11-84			ADAPTOR TOOL SET (ALUM) ENVELOPE DRAWING	
		FINISH		CH'D.	BG	DATE	P-11-84				
DO NOT SCALE DRAWING				APPRO'D.	US	DATE	P-11-84	WEIRD USED		CAD P/N	SHEET 1 OF 1
				SIZE		SCALE	2X	P/N		CM-S-389T-ENV	REV
				FORMING		CM-S-389T-ENV					1

## X-ON Electronics

Largest Supplier of Electrical and Electronic Components

*Click to view similar products for [Other Tools](#) category:*

*Click to view products by [DMC](#) manufacturer:*

Other Similar products are found below :

[CR-0AFL4--332K](#) [568681-1](#) [5800-0090](#) [58061-1](#) [59065-5](#) [59085](#) [00-8273-RDPP](#) [00-8729-WHPP](#) [593033](#) [593072](#) [593564100](#) [593575](#)  
[593593](#) [011349-000](#) [CRCW08052740FRT1](#) [LUC-012S070DSM](#) [LUC-018S070DSP](#) [LUC-024S105DSP](#) [599-2021-3-NME](#) [599-JJ-2021-03](#)  
[00-5080-YWPP](#) [00-9089-RDPP](#) [00-9300-RDPP](#) [CRCW2010331JR02](#) [601-JJ-06](#) [601-SPB](#) [601YSY](#) [602-JJ-03](#) [602SPB](#) [603-JJ-07-FP](#) [603-](#)  
[JJY-04](#) [M15570-25](#) [CRTN1013](#) [CS16](#) [6-1579014-0](#) [6203](#) [62200-5709](#) [6240-1](#) [M43435 TY 2 SZ 3 FIN B BLK](#) [M43435 TY 5 SZ 3 FIN C](#)  
[NAT](#) [M-5Z](#) [M6816](#) [M7298](#) [M7456](#) [M7976](#) [660-29ABT1](#) [662508-1](#) [CVHD-950X-93.333](#) [CW104-01X](#) [671-GP-04-KT39-73207](#)