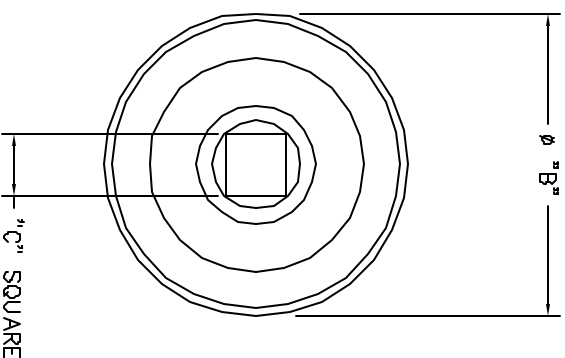
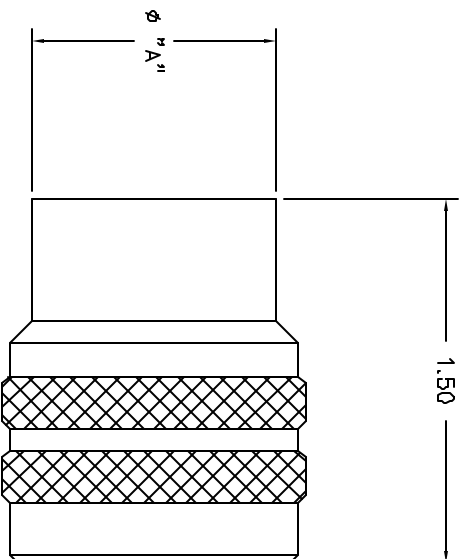


REVISIONS			
REV. NO.	ECN NO.	DESCRIPTION	BY DATE
1		ORIGINAL RELEASE	12/7/00

**UNCONTROLLED DOCUMENT
WILL NOT BE UPDATED**



CM5015-48	2.920	2.984	3/8	ALL
CM5015-44	2.670	2.734	3/8	ALL
CM5015-40	2.420	2.484	3/8	ALL
CM5015-36	2.170	2.234	3/8	ALL
CM5015-32	1.930	1.994	3/8	ALL
CM5015-28	1.680	1.740	3/8	ALL
CM5015-24	1.430	1.494	3/8	ALL
CM5015-22	1.305	1.369	3/8	ALL
CM5015-20	1.180	1.369	3/8	ALL
CM5015-18	1.055	1.119	1/4	ALL
CM5015-16	.935	1.000	1/4	ALL
CM5015-14	.810	.874	1/4	ALL
CM5015-12	.685	.874	1/4	ALL
CM5015-10	.570	.874	1/4	ALL
CM5015-8	.450	.874	1/4	ALL
PART NO.	DIM. "A"	DIM. "B"	DIM. "C"	KEYING POSITION

<p style="text-align: center;">RESTRICTED & CONFIDENTIAL</p> <p style="text-align: center;">CONFIDENTIAL PROPERTY OF DANIELS MANUFACTURING CORP. NOT TO BE REPRODUCED OR USED FOR ANY OTHER PURPOSES EXCEPT AS AUTHORIZED IN WRITING BY DANIELS MANUFACTURING CORP. THIS DRAWING IS THE PROPERTY OF DANIELS MANUFACTURING CORP. IT IS TO BE RETURNED TO DANIELS MANUFACTURING CORP. OR OTHER PURPOSER FOR WHICH INTENT.</p>		MATERIAL	ITEM	PART NO.	QTY.	DESCRIPTION/REMARKS
		HEAT TREAT	DATE	DATE	DATE	DATE
<p style="text-align: center;">DO NOT SCALE DRAWING</p>		FINISH	APPROV. DATE	APPROV. DATE	APPROV. DATE	APPROV. DATE
<p style="text-align: center;">DO NOT SCALE DRAWING</p>		SIZE	SCALE	CAD P/N	SHEET	OF
<p style="text-align: center;">DO NOT SCALE DRAWING</p>		FINISH	2X	CM-S-5015-ENV	1	1
<p style="text-align: center;">DO NOT SCALE DRAWING</p>		FINISH		CM-S-5015-ENV	1	1

<p style="text-align: center;">DMC</p> <p style="text-align: center;">DANIELS MANUFACTURING CORP. ORLANDO, FLORIDA CASE 11851</p>		<p style="text-align: center;">TITLE</p> <p style="text-align: center;">ADAPTOR TOOL FOR MIL-C-5015 CONNECTOR PLUGS ENVELOPE DRAWING</p>	
<p style="text-align: center;">DATE</p> <p style="text-align: center;">12/7/00</p>		<p style="text-align: center;">DATE</p> <p style="text-align: center;">12/7/00</p>	
<p style="text-align: center;">DATE</p> <p style="text-align: center;">12/7/00</p>		<p style="text-align: center;">DATE</p> <p style="text-align: center;">12/7/00</p>	

X-ON Electronics

Largest Supplier of Electrical and Electronic Components

Click to view similar products for [Other Tools](#) category:

Click to view products by [DMC](#) manufacturer:

Other Similar products are found below :

[CR-0AFL4--332K](#) [568681-1](#) [5800-0090](#) [58061-1](#) [59065-5](#) [59085](#) [00-8273-RDPP](#) [00-8729-WHPP](#) [593033](#) [593072](#) [593564100](#) [593575](#)
[593593](#) [011349-000](#) [CRCW08052740FRT1](#) [LUC-018S070DSP](#) [LUC-024S105DSP](#) [599-2021-3-NME](#) [599-JJ-2021-03](#) [00-5080-YWPP](#) [00-](#)
[9089-RDPP](#) [00-9300-RDPP](#) [CRCW2010331JR02](#) [601-JJ-06](#) [601-SPB](#) [601YSY](#) [602-JJ-03](#) [602SPB](#) [603-JJ-07-FP](#) [603-JJY-04](#) [M15570-25](#)
[CRTN1013](#) [CS16](#) [6-1579014-0](#) [6203](#) [62200-5709](#) [6240-1](#) [M43435 TY 2 SZ 3 FIN B BLK](#) [M43435 TY 5 SZ 3 FIN C NAT](#) [M-5Z](#) [M6816](#)
[M7298](#) [M7456](#) [M7976](#) [660-29ABT1](#) [662508-1](#) [CVHD-950X-93.333](#) [CW104-01X](#) [671-GP-04-KT39-73207](#) [CW307-01A](#)