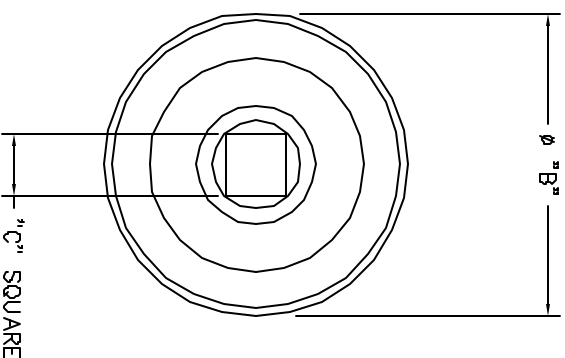
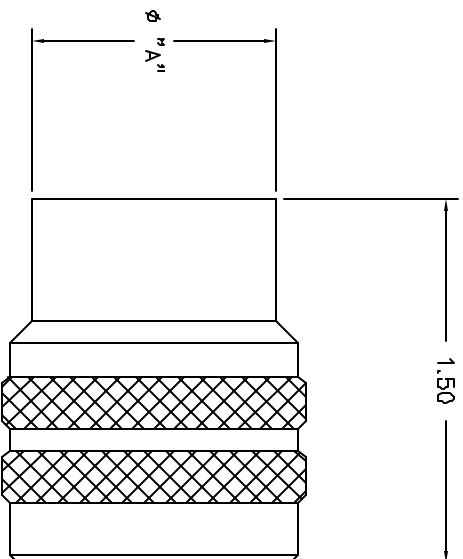


REVISIONS			
REV. NO.	ECNO. NUMBER	DESCRIPTION	BY DATE APPR. DATE
1		ORIGINAL RELEASE	12/7/00 12/7/00

**UNCONTROLLED DOCUMENT
WILL NOT BE UPDATED**



PART NO.	DIM. "A"	DIM. "B"	DIM. "C"	KEYING POSITION
CM5015-48	2.920	2.984	3/8	ALL
CM5015-44	2.670	2.734	3/8	ALL
CM5015-40	2.420	2.484	3/8	ALL
CM5015-36	2.170	2.234	3/8	ALL
CM5015-32	1.930	1.994	3/8	ALL
CM5015-28	1.680	1.740	3/8	ALL
CM5015-24	1.430	1.494	3/8	ALL
CM5015-22	1.305	1.369	3/8	ALL
CM5015-20	1.180	1.369	3/8	ALL
CM5015-18	1.055	1.119	1/4	ALL
CM5015-16	.935	1.000	1/4	ALL
CM5015-14	.810	.874	1/4	ALL
CM5015-12	.685	.874	1/4	ALL
CM5015-10	.570	.874	1/4	ALL
CM5015-8	.450	.874	1/4	ALL

RESTRICTED & CONFIDENTIAL CONFIDENTIAL PROPERTY OF DANIELS MANUFACTURING CORP. NOT TO BE REPRODUCED OR USED FOR ANY OTHER PURPOSE EXCEPT AS AUTHORIZED IN WRITING BY DANIELS MANUFACTURING CORP. THIS DRAWING IS THE PROPERTY OF DANIELS MANUFACTURING CORP. IT IS TO BE RETURNED TO DANIELS MANUFACTURING CORP. OR OTHER PURPOSER FOR WHICH INTENT.		MATERIAL	ITEM	PART NO.	QTY.	DESCRIPTION/REMARKS		
		HEAT TREAT	DATE	DATE	DATE	DATE		
DO NOT SCALE DRAWING		FINISH	APPR. DATE	APPR. DATE	APPR. DATE	APPR. DATE		
P/MC DANIELS MANUFACTURING CORP. ORLANDO, FLORIDA CASE 11851		TITLE MIL-C-5015 CONNECTOR PLUGS ENVELOPE DRAWING		SIZE B	SCALE 2X	CAD P/N CM-S-5015-ENV	SHEET 1 OF 1	REV. 1

X-ON Electronics

Largest Supplier of Electrical and Electronic Components

Click to view similar products for [Hand Tools](#) category:

Click to view products by [DMC](#) manufacturer:

Other Similar products are found below :

[58284-1](#) [662908-1](#) [68764-0001](#) [690619-6](#) [7-354778-7](#) [768531-1](#) [821903-5](#) [822253-1](#) [854183-1](#) [854358-1](#) [992258-1](#) [1-21046-3](#) [1-22278-0](#)
[1-22278-2](#) [1-24954-2](#) [125529-5](#) [126513-1](#) [1320846-1](#) [1338618-1](#) [1338968-2](#) [1-354779-0](#) [1-354779-2](#) [1-354779-4](#) [1424443-1](#) [1424289-1](#)
[1424444-1](#) [MS24256A16](#) [1-525442-0](#) [1532195-2](#) [1538773-2](#) [1-59681-8](#) [1-59907-5](#) [1-692134-3](#) [1725760-1](#) [HT-920A-124-HTELE-RPL-KIT](#)
[1976923-1](#) [1976969-1](#) [2063794-1](#) [2063795-1](#) [2-21002-1](#) [2-21002-3](#) [2-21002-4](#) [2-21002-7](#) [2-21002-9](#) [2-21004-0](#) [229399-2](#) [229707-1](#)
[911737-2](#) [2598-5027-54](#) [91348-2](#)