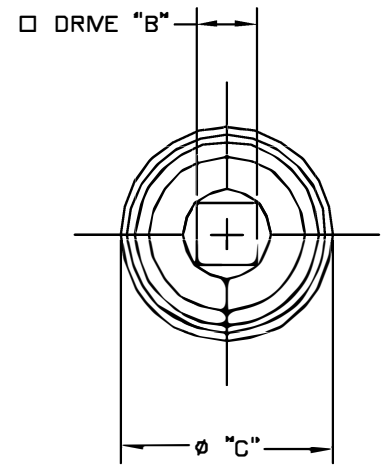
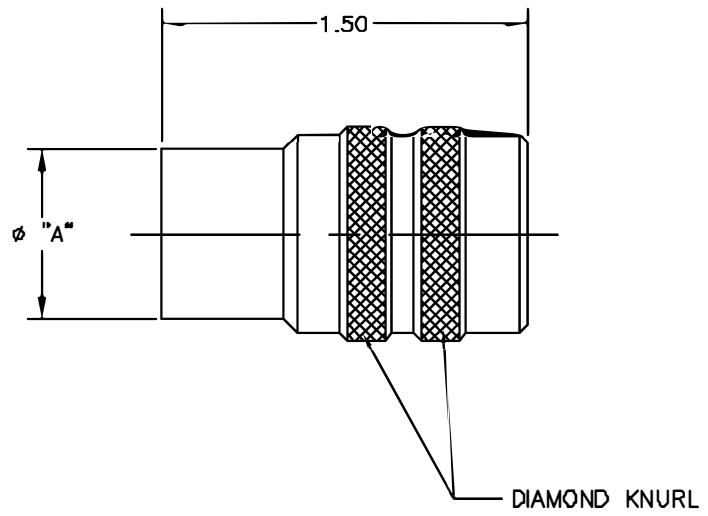


REVISIONS				
REV. SYN.	E.C.O. NUMBER	DESCRIPTION	BY DATE	APP'D DATE
1		ORIGINAL RELEASE	LE 3-28-06	RRR 8-87
2		ADDED DIM "C"	SAL 3-28-06	RRR 3-28-06



CM389L-25	1.585	3/8	1.750	ALL
CM389L-23	1.460	3/8	1.625	ALL
CM389L-21	1.335	3/8	1.500	ALL
CM389L-19	1.210	3/8	1.375	ALL
CM389L-17	1.103	1/4	1.250	ALL
CM389L-15	.978	1/4	1.125	ALL
CM389L-13	.854	1/4	1.000	ALL
CM389L-11	.705	1/4	.875	ALL
CM389L-9	.573	1/4	.812	ALL
PART NO.	DIM. "A"	DIM. "B"	DIM. "C"	KEYING POSITIONS

**UNCONTROLLED DOCUMENT  
WILL NOT BE UPDATED**

1. FOR MIL-C-38999 SERIES 1 PLUGS.

NOTES:

<b>RESTRICTED &amp; CONFIDENTIAL</b> CONFIDENTIAL PROPERTY OF DANIELS MANUFACTURING CORP. NOT TO BE DISCLOSED TO OTHERS, REPRODUCED OR USED FOR ANY OTHER PURPOSE, EXCEPT AS AUTHORIZED IN WRITING BY DANIELS MANUFACTURING. MUST BE RETURNED TO DANIELS MANUFACTURING CORP. ON COMPLETION OF ORDER OR OTHER PURPOSE FOR WHICH LENT.	MATERIAL	ITEM	PART NO.	QTY.	DESCRIPTION/REMARKS
	HEAT TREAT	DRN	LE	DATE	DANIELS MANUFACTURING CORP. ORLANDO, FLORIDA CAGE 11867
		CHK'D	JS	DATE	
	FINISH	APPL.	TR	DATE	TITLE
APPR.		WJP	DATE	WHERE USED:	
DO NOT SCALE DRAWING	NOTE:			SIZE	SHEET
	THIS DRAWING IS AN OUTLINE DRAWING OF THE RESPECTIVE DMC PART NUMBER INDICATED. ACTUAL DMC PART NUMBER IS DRAWING NUMBER WITH/OUT THE "ENV" SUFFIX.			B	1
			SCALE	CAD P/N	REV.
			NTS	CM-S-389L-ENV	2
			POSTING	DWG. NO.	
				CM-S-389L-ENV	

## X-ON Electronics

Largest Supplier of Electrical and Electronic Components

*Click to view similar products for [Other Tools](#) category:*

*Click to view products by [DMC](#) manufacturer:*

Other Similar products are found below :

[CR-0AFL4--332K](#) [568681-1](#) [5800-0090](#) [58061-1](#) [59065-5](#) [59085](#) [00-8273-RDPP](#) [00-8729-WHPP](#) [593033](#) [593072](#) [593564100](#) [593575](#)  
[593593](#) [011349-000](#) [CRCW08052740FRT1](#) [LUC-012S070DSM](#) [LUC-018S070DSP](#) [LUC-024S105DSP](#) [599-2021-3-NME](#) [599-JJ-2021-03](#)  
[00-5080-YWPP](#) [00-9089-RDPP](#) [00-9300-RDPP](#) [CRCW2010331JR02](#) [601-JJ-06](#) [601-SPB](#) [601YSY](#) [602-JJ-03](#) [602SPB](#) [603-JJ-07-FP](#) [603-](#)  
[JJY-04](#) [M15570-25](#) [CRTN1013](#) [CS16](#) [6-1579014-0](#) [6203](#) [62200-5709](#) [6240-1](#) [M43435 TY 2 SZ 3 FIN B BLK](#) [M43435 TY 5 SZ 3 FIN C](#)  
[NAT](#) [M-5Z](#) [M6816](#) [M7298](#) [M7456](#) [M7976](#) [660-29ABT1](#) [662508-1](#) [CVHD-950X-93.333](#) [CW104-01X](#) [671-GP-04-KT39-73207](#)