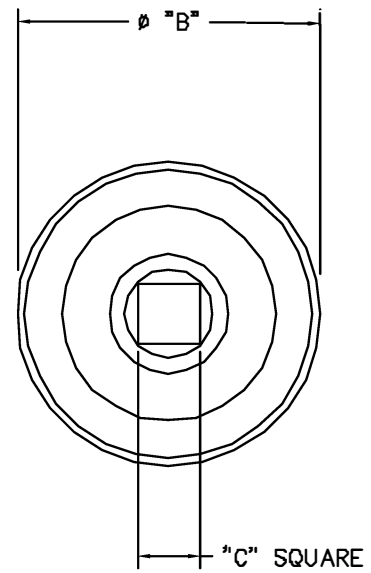
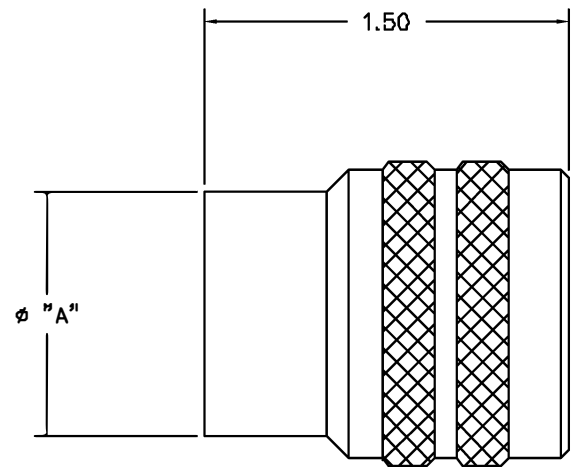


REVISIONS				
REV. SYN.	E.C.D. NUMBER	DESCRIPTION	BY DATE	APPR. DATE
1		ORIGINAL RELEASE	JW 12/7/00	RRR 12/7/00

**UNCONTROLLED DOCUMENT
WILL NOT BE UPDATED**



CM5015-48	2.920	2.984	3/8	ALL
CM5015-44	2.670	2.734	3/8	ALL
CM5015-40	2.420	2.484	3/8	ALL
CM5015-36	2.170	2.234	3/8	ALL
CM5015-32	1.930	1.994	3/8	ALL
CM5015-28	1.680	1.740	3/8	ALL
CM5015-24	1.430	1.494	3/8	ALL
CM5015-22	1.305	1.369	3/8	ALL
CM5015-20	1.180	1.369	3/8	ALL
CM5015-18	1.055	1.119	1/4	ALL
CM5015-16	.935	1.000	1/4	ALL
CM5015-14	.810	.874	1/4	ALL
CM5015-12	.685	.874	1/4	ALL
CM5015-10	.570	.874	1/4	ALL
CM5015-8	.450	.874	1/4	ALL
PART NO.	DIM. "A"	DIM. "B"	DIM. "C"	KEYING POSITION

RESTRICTED & CONFIDENTIAL CONFIDENTIAL PROPERTY OF DANIELS MANUFACTURING CORP. NOT TO BE DISCLOSED TO OTHERS, REPRODUCED OR USED FOR ANY OTHER PURPOSE EXCEPT AS AUTHORIZED IN WRITING BY DANIELS MANUFACTURING. MUST BE RETURNED TO DANIELS MANUFACTURING CORP. ON COMPLETION OF ORDER OR OTHER PURPOSE FOR WHICH LENT.	MATERIAL	ITEM	PART NO.	QTY.	DESCRIPTION/REMARKS
	HEAT TREAT	DIRN J. JOYCE	DATE 12/7/00	DATE 12/7/00	DANIELS MANUFACTURING CORP. ORLANDO, FLORIDA CAGE 11851
	FINISH	CHK'D RRR	DATE 12/7/00	DATE 12/7/00	
	DO NOT SCALE DRAWING	TITLE ADAPTOR TOOL FOR MIL-C-5015 CONNECTOR PLUGS ENVELOPE DRAWING		WHERE USED:	
		SIZE B	SCALE 2X	CAD P/N CM-S-5015-ENV	REV. 1

X-ON Electronics

Largest Supplier of Electrical and Electronic Components

Click to view similar products for [Tool Kits & Cases](#) category:

Click to view products by [DMC](#) manufacturer:

Other Similar products are found below :

[217434-1](#) [4263](#) [1055420-1](#) [11-18-3023](#) [63860-8170](#) [856600-2](#) [690372163](#) [11-40-3247](#) [63883-2870](#) [63885-0270](#) [63866-1070](#) [63863-5070](#)
[63892-7370](#) [11-18-3209](#) [63860-4070](#) [63881-0970](#) [A0403641](#) [11-18-3040](#) [63910-1470](#) [63861-5070](#) [63850-7470](#) [11-18-3201](#) [63910-7570](#)
[FM 0501 146](#) [63883-0670](#) [63830-0070](#) [63902-9170](#) [11-18-3147](#) [11-18-3079](#) [63883-2670](#) [63900-1770](#) [11-18-3190](#) [63851-1070](#) [63912-4770](#)
[63911-5270](#) [63895-1070](#) [63860-1470](#) [63850-6070](#) [1-69411-3](#) [63852-9270](#) [63802-6270](#) [63902-4870](#) [11-18-3202](#) [63852-9170](#) [63850-1070](#)
[63830-0170](#) [63910-2870](#) [11-18-3010](#) [63820-7070](#) [63851-7170](#)