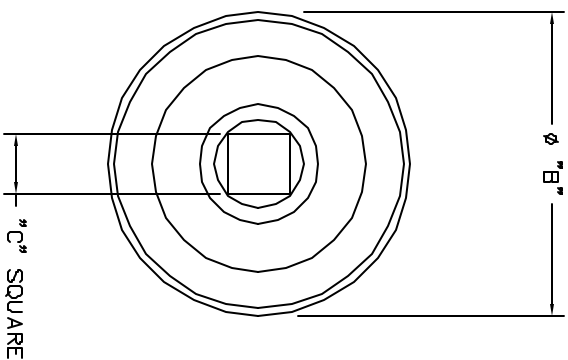
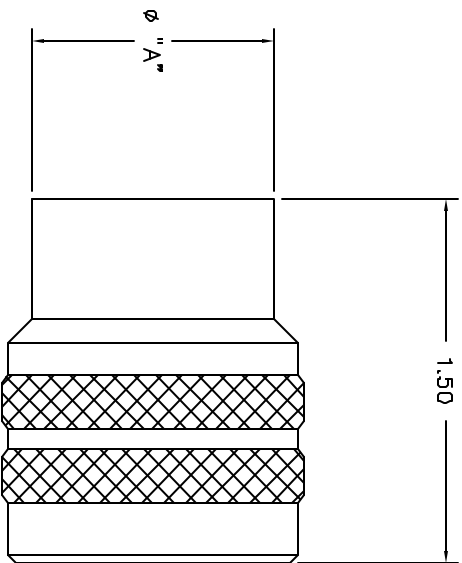


REV. STYL.	EFFECT NUMBER	DESCRIPTION	DATE	APPRO. DATE
1		ORIGINAL RELEASE	7-19-81	7-19-81

**UNCONTROLLED DOCUMENT  
WILL NOT BE UPDATED**



CMS015R-48	2.135	2.984	3/8	ALL
CMS015R-44	2.485	2.734	3/8	ALL
CMS015R-40	2.230	2.484	3/8	ALL
CMS015R-36	1.980	2.234	3/8	ALL
CMS015R-32	1.768	1.994	3/8	ALL
CMS015R-28	1.518	1.740	3/8	ALL
CMS015R-24	1.298	1.494	3/8	ALL
CMS015R-22	1.173	1.369	3/8	ALL
CMS015R-20	1.048	1.369	3/8	ALL
CMS015R-18	.928	1.119	1/4	ALL
CMS015R-16	.803	1.000	1/4	ALL
CMS015R-14	.673	.874	1/4	ALL
CMS015R-12	.553	.874	1/4	ALL
CMS015R-10	.443	.874	1/4	ALL
CMS015R-8	.365	.874	1/4	ALL
PART NO.	DIM. "A"	DIM. "B"	DIM. "C"	KEYS POSITIONS

RESTRICTED & CONFIDENTIAL		MATERIAL		ITEM		PART NO.		DESCRIPTION/REMARKS	
CONFIDENTIAL PROPERTY OF DANIELS MANUFACTURING. KEEP NOT TO BE REPRODUCED OR USED FOR ANY OTHER PURPOSE EXCEPT AS AUTHORIZED IN WRITING BY DANIELS MANUFACTURING. MANUFACTURING CHIEF'S SIGNATURE AND DATE REQUIRED FOR WHICH UNIT.		HEAT TREAT		DRN	JMC	DATE			
		FINISH		CHGD.	JWJ	DATE			
				APPRD.		DATE			
				APPRD.		DATE			
DO NOT SCALE DRAWING				TITLE		WHERE USED		Dwg P/N	
				<b>DANIELS MANUFACTURING CORP.</b> ORLANDO, FLORIDA CASE 17857		ADAPTOR TOOL SET FOR MIL-C-5015 RECEPTACLES ENVELOPE DRAWING		CM-S-5015R-ENV SHEET 1 OF 1 REV 1	

## X-ON Electronics

Largest Supplier of Electrical and Electronic Components

*Click to view similar products for [Other Tools](#) category:*

*Click to view products by [DMC](#) manufacturer:*

Other Similar products are found below :

[CR-0AFL4--332K](#) [568681-1](#) [5800-0090](#) [58061-1](#) [59065-5](#) [59085](#) [00-8273-RDPP](#) [00-8729-WHPP](#) [593033](#) [593072](#) [593564100](#) [593575](#)  
[593593](#) [011349-000](#) [CRCW08052740FRT1](#) [LUC-018S070DSP](#) [LUC-024S105DSP](#) [599-2021-3-NME](#) [599-JJ-2021-03](#) [00-5080-YWPP](#) [00-](#)  
[9089-RDPP](#) [00-9300-RDPP](#) [CRCW2010331JR02](#) [601-JJ-06](#) [601-SPB](#) [601YSY](#) [602-JJ-03](#) [602SPB](#) [603-JJ-07-FP](#) [603-JJY-04](#) [M15570-25](#)  
[CRTN1013](#) [CS16](#) [6-1579014-0](#) [6203](#) [62200-5709](#) [6240-1](#) [M43435 TY 2 SZ 3 FIN B BLK](#) [M43435 TY 5 SZ 3 FIN C NAT](#) [M-5Z](#) [M6816](#)  
[M7298](#) [M7456](#) [M7976](#) [660-29ABT1](#) [662508-1](#) [CVHD-950X-93.333](#) [CW104-01X](#) [671-GP-04-KT39-73207](#) [CW307-01A](#)