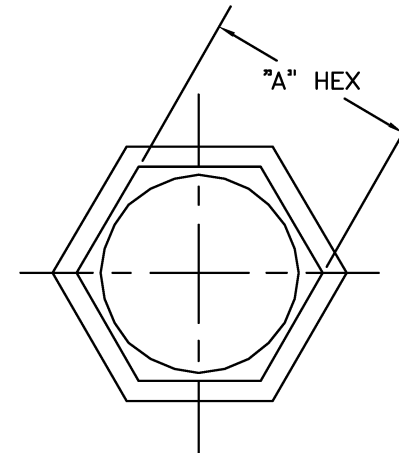
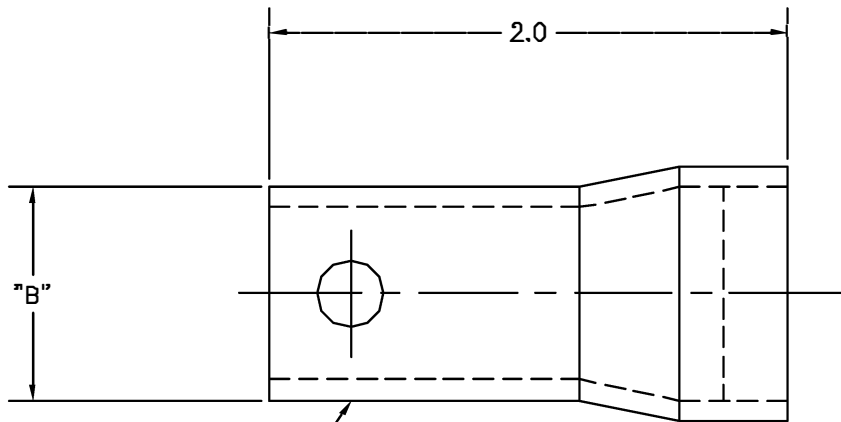


**UNCONTROLLED DOCUMENT
WILL NOT BE UPDATED**

REVISIONS				
REV. SYN.	E.C.G. NUMBER	DESCRIPTION	BY DATE	APP'D DATE
1		ORIGINAL RELEASE	JWJ 1/3/01	RRR 1/3/01



"DANIELS"
"USA"
"CSXX"

PART NO.	"A" HEX NOM.	"B"
CS32	2 5/8	Ø2.75
CS24-1	2 1/8	Ø2.25
CS22-1	2	Ø2.12
CS24	1 13/16	Ø2.00
CS22	1 11/16	Ø1.87
CS20	1 9/16	Ø1.75
CS18	1 7/16	Ø1.62
CS16	1 5/16	Ø1.50
CS14	1 3/16	Ø1.37
CS12	1 1/16	Ø1.25
CS10	7/8	Ø1.06
CS8	3/4	Ø0.93

RESTRICTED & CONFIDENTIAL CONFIDENTIAL PROPERTY OF DANIELS MANUFACTURING CORP. NOT TO BE DISCLOSED TO OTHERS, REPRODUCED OR USED FOR ANY OTHER PURPOSE EXCEPT AS AUTHORIZED IN WRITING BY DANIELS MANUFACTURING. MUST BE RETURNED TO DANIELS MANUFACTURING CORP. ON COMPLETION OF ORDER OR OTHER PURPOSE FOR WHICH LENT.	MATERIAL	ITEM	PART NO.	QTY.	DESCRIPTION/REMARKS
	HEAT TREAT	DRN	J. JOYCE	DATE	1/3/01
		CHKD.	RRR	DATE	1/3/01
	FINISH	APPD.		DATE	
APPD.			DATE		
DO NOT SCALE DRAWING	TITLE				
	JAM NUT WRENCH ENVELOPE DRAWING				
	WHERE USED:				
	SIZE	SCALE	CAD P/N	SHEET	OF
B	NTS	CSXX-ENV	1	1	
POSTING	P/N		REV.		
TDE	CSXX-ENV		1		

X-ON Electronics

Largest Supplier of Electrical and Electronic Components

Click to view similar products for [RF Connector Tools](#) category:

Click to view products by [DMC](#) manufacturer:

Other Similar products are found below :

[R282744011](#) [R282744220](#) [R282120010](#) [4-1532129-0](#) [6-1337482-0](#) [R282730040](#) [R282743120](#) [23W100-000](#) [23W101-000](#) [227-1497](#)
[R282589210](#) [GK-S600TT](#) [GK-S900TT](#) [CS24-1](#) [500-32-015](#) [500-32-004](#) [500-38-002](#) [500-32-008](#) [227-T2000](#) [500-12-019](#) [500-32-007](#)
[500-32-022](#) [500-38-004](#) [500-38-006](#) [500-38-008](#) [500-80-014](#) [D.FL75-LP-N](#) [CAS-BNC-T](#) [R282868280](#) [19W002-000](#) [6006330101](#) [1055454-](#)
[1](#) [500-12-000](#) [X.FL-LP-IN.OUT1](#) [500-32-010](#) [W1W002-000](#) [RFMODE1.5](#) [CS10](#) [CS12](#) [CS14](#) [CS16](#) [CS20](#) [CS32](#) [CS8](#) [R282744061](#)