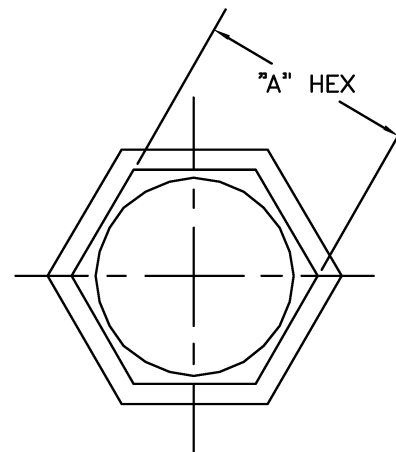
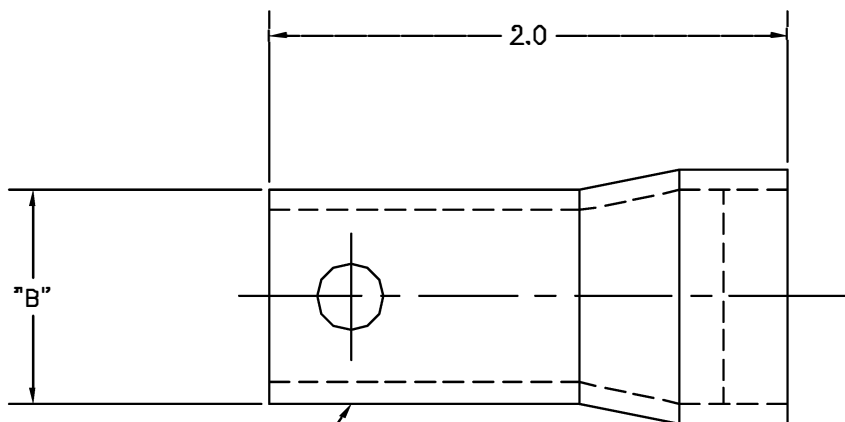


**UNCONTROLLED DOCUMENT  
WILL NOT BE UPDATED**

REVISIONS				
REV. SYN.	E.C.G. NUMBER	DESCRIPTION	BY DATE	APP'D DATE
1		ORIGINAL RELEASE	JWJ 1/3/01	RRR 1/3/01



"DANIELS"  
"USA"  
"CSXX"

PART NO.	"A" HEX NOM.	"B"
CS32	2 5/8	Ø2.75
CS24-1	2 1/8	Ø2.25
CS22-1	2	Ø2.12
CS24	1 13/16	Ø2.00
CS22	1 11/16	Ø1.87
CS20	1 9/16	Ø1.75
CS18	1 7/16	Ø1.62
CS16	1 5/16	Ø1.50
CS14	1 3/16	Ø1.37
CS12	1 1/16	Ø1.25
CS10	7/8	Ø1.06
CS8	3/4	Ø0.93

<p><b>RESTRICTED &amp; CONFIDENTIAL</b></p> <p>CONFIDENTIAL PROPERTY OF DANIELS MANUFACTURING CORP. NOT TO BE DISCLOSED TO OTHERS, REPRODUCED OR USED FOR ANY OTHER PURPOSE EXCEPT AS AUTHORIZED IN WRITING BY DANIELS MANUFACTURING. MUST BE RETURNED TO DANIELS MANUFACTURING CORP. ON COMPLETION OF ORDER OR OTHER PURPOSE FOR WHICH LENT.</p>	MATERIAL	ITEM	PART NO.	QTY.	DESCRIPTION/REMARKS	
	HEAT TREAT	DRN	J. JOYCE	DATE	1/3/01	
		CHK'D.	RRR	DATE	1/3/01	
	FINISH	APP'D.		DATE		
APP'D.			DATE			
DO NOT SCALE DRAWING	<p><b>Daniel's Manufacturing Corp.</b></p> <p>ORLANDO, FLORIDA CAGE 11851</p>		TITLE			
			JAM NUT WRENCH ENVELOPE DRAWING			
	WHERE USED:		SIZE	SCALE	CAD P/N	SHEET OF
	TDE		B	NTS	CSXX-ENV	1 1
		P/NTG	P/N	CSXX-ENV	REV.	
					1	

## X-ON Electronics

Largest Supplier of Electrical and Electronic Components

*Click to view similar products for [RF Connector Tools](#) category:*

*Click to view products by [DMC](#) manufacturer:*

Other Similar products are found below :

[R282744011](#) [R282744220](#) [R282120010](#) [4-1532129-0](#) [6-1337482-0](#) [R282730040](#) [R282743120](#) [23W100-000](#) [23W101-000](#) [227-1497](#)  
[R282589210](#) [GK-S600TT](#) [GK-S240TT](#) [GK-S900TT](#) [CS24-1](#) [500-32-015](#) [500-32-004](#) [500-38-002](#) [500-32-008](#) [227-T2000](#) [500-12-019](#)  
[500-32-007](#) [500-32-022](#) [500-38-004](#) [500-38-006](#) [500-38-008](#) [500-80-014](#) [D.FL75-LP-N](#) [CAS-BNC-T](#) [R282868280](#) [19W002-000](#)  
[6006330101](#) [1055454-1](#) [500-12-000](#) [X.FL-LP-IN.OUT1](#) [500-32-010](#) [W1W002-000](#) [RFMODE1.5](#) [CS10](#) [CS12](#) [CS14](#) [CS16](#) [CS20](#) [CS32](#)  
[CS8](#) [R282744061](#)