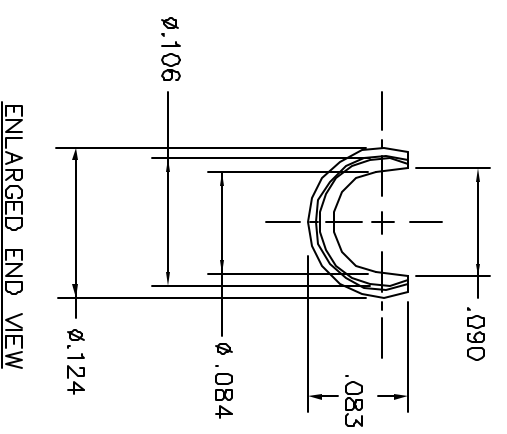
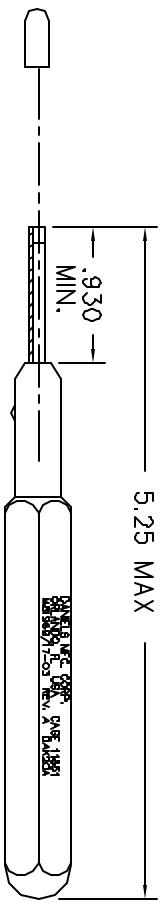


REVISIONS				
REV. NUMBER	E.C.D. NUMBER	DESCRIPTION	BY DATE	APP'D DATE
2		ADDED END VIEW	LM 8/27/91	PS 8/31



ENLARGED END VIEW



RESTRICTED & CONFIDENTIAL		CONFERENTIAL PROPERTY OF DANIELS MANUFACTURING CORP. NOT TO BE DISCLOSED TO OTHERS, REPRODUCED OR USED FOR ANY OTHER PURPOSE, EXCEPT AS AUTHORIZED IN WRITING BY DANIELS MANUFACTURING. MUST BE RETURNED TO DANIELS MANUFACTURING CORP. ON COMPLETION OF ORDER OR OTHER PURPOSE FOR WHICH SENT.	
MATERIAL		FINISH	
HEAT TREAT		DO NOT SCALE DRAWING	
ITEM	PART NO.	QTY.	DESCRIPTION/REMARKS
DRN. MSS	DATE 8/30/86		
CHK'D. DE	DATE 8/30/86		
APP'D. KT	DATE 8/30/86		
APP'D.	DATE		
NOTE: THIS DRAWING IS AN OUTLINE DRAWING OF THE RESPECTIVE INDICATED ACTUAL DIMS. PART NUMBER IS DRAWING NUMBER WITHOUT THE "ENV" SUFFIX.			
TITLE		WHERE USED:	
INSTALLING TOOL #20 ENVELOPE DRAWING (M81969/17-03 REV. A)		SIZE B	SCALE NTS
DANIELS MANUFACTURING CORP. ORLANDO, FLORIDA GAGE 11651		CAD P/N	SHEET 1 OF 1
		DWG. NO. DAK20A-ENV	REV. 2

UNCONTROLLED DOCUMENT
WILL NOT BE UPDATED

X-ON Electronics

Largest Supplier of Electrical and Electronic Components

Click to view similar products for [Extraction, Removal & Insertion Tools](#) category:

Click to view products by [DMC manufacturer](#):

Other Similar products are found below :

[M8196914-08](#) [768211-2](#) [809-131](#) [844751-2](#) [8-59558-2](#) [91018-1](#) [12014013](#) [12093647](#) [1-21048-0](#) [R282867020](#) [12093078](#) [1-21048-6](#)
[12121897](#) [DCF.91.405.5LT](#) [1322](#) [15314260](#) [15350698](#) [15350707](#) [15430130](#) [1579018-4](#) [1643916-1](#) [1-679532-0](#) [1976593-3](#) [OUTEXT-0321](#)
[2-1579008-3](#) [2-1579008-4](#) [229694-7](#) [231106-1](#) [241469](#) [91040-3](#) [91040-7](#) [965004-000](#) [965069-000](#) [1738219-1](#) [ET-JL05-16](#) [FG 0300 146](#)
[3000](#) [FIT-6](#) [210S048](#) [2-1579007-9](#) [231879-1](#) [312138-3](#) [RJ11FODE](#) [356-162](#) [M8196914-10](#) [4-1579018-0](#) [430395-001](#) [483249-1](#) [5-](#)
[1579007-2](#) [5-1579007-9](#) [BPR10](#)