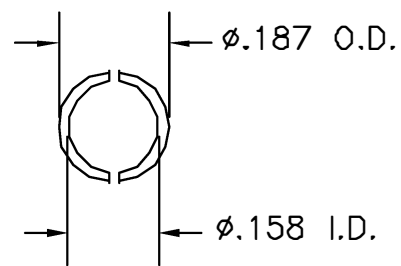
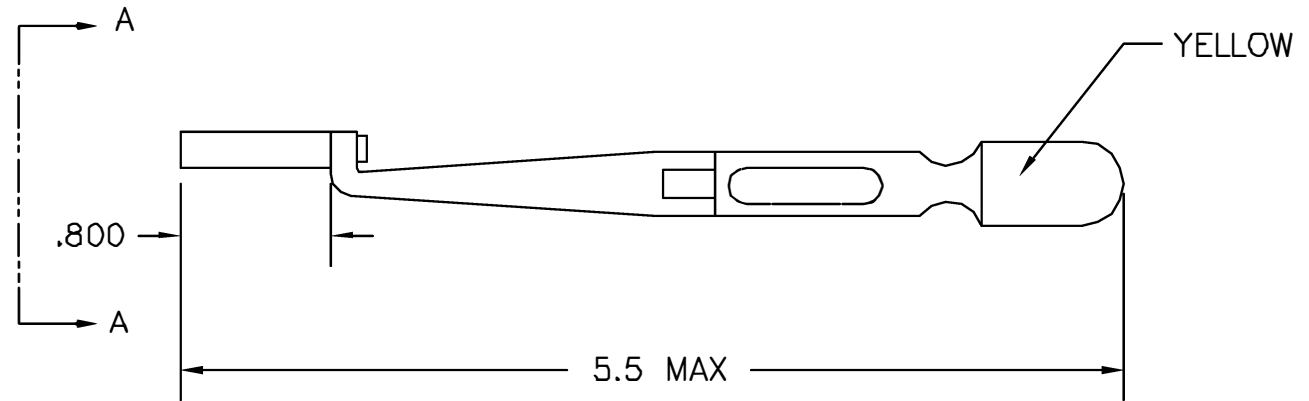


REVISIONS				
REV. SYM.	E.C.O. NUMBER	DESCRIPTION	BY DATE	APP'D DATE
1		ORIGINAL RELEASE	AW 11/28/00	RRR 11/29/00



VIEW A-A



**UNCONTROLLED DOCUMENT
 WILL NOT BE UPDATED**

RESTRICTED & CONFIDENTIAL CONFIDENTIAL PROPERTY OF DANIELS MANUFACTURING CORP. NOT TO BE DISCLOSED TO OTHERS, REPRODUCED OR USED FOR ANY OTHER PURPOSE, EXCEPT AS AUTHORIZED IN WRITING BY DANIELS MANUFACTURING. MUST BE RETURNED TO DANIELS MANUFACTURING CORP. ON COMPLETION OF ORDER OR OTHER PURPOSE FOR WHICH LENT.		ITEM	PART NO.	QTY.	DESCRIPTION/REMARKS		
		URN.	J. JOYCE	DATE 11/28/00	DANIELS MANUFACTURING CORP. ORLANDO, FLORIDA CAGE 71851		
CHKD.	RRR	DATE 11/29/00	TITLE	#12 INSTALLING TOOL ENVELOPE DRAWING			
APP'D.		DATE	WHERE USED:				
APP'D.		DATE	SIZE	SCALE			
DO NOT SCALE DRAWING			B	NTS	CAD P/N	SHEET	OF
			POSTING	P/N	DAK264-12-ENV	1	1
					DAK264-12-ENV	REV.	1

X-ON Electronics

Largest Supplier of Electrical and Electronic Components

Click to view similar products for [Pliers & Tweezers](#) category:

Click to view products by [DMC](#) manufacturer:

Other Similar products are found below :

[0031](#) [32750](#) [PN-5050/38D](#) [PG-TP-30D](#) [PG-DP-18-N](#) [G77015](#) [4-1532129-2](#) [77 12 115](#) [0037](#) [T0058765801](#) [571](#) [76C](#) [MICROFOX-SP-1_DB](#)
[37 31 125](#) [RX 8130](#) [37 33 125](#) [DRP10N](#) [32 11 135](#) [36 12 130](#) [0036](#) [0032](#) [HT-109](#) [6211-06](#) [6214-45](#) [6217-05](#) [6231-07](#) [6231-08](#) [6411-06](#)
[DP15N](#) [DP20N](#) [PN 5050/10D](#) [PN 5050/19D](#) [PNI 5000](#) [TR 20 M](#) [TR 25 15](#) [TR 25 P A](#) [TR 30 58 R A](#) [TR 5000](#) [TR 5000 10 D](#) [TR 5000 PG](#)
[TR 5000 PR](#) [MICROFOX-SP_DB](#) [CUTFOX-SE LM](#) [CUTFOX-SE LM_DB](#) [FMHT0-80519](#) [TR 58 R A](#) [43333](#) [102ACAX](#) [103ACA](#)
[141SAP](#)