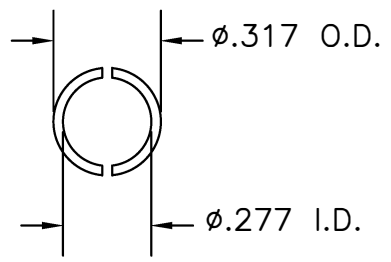
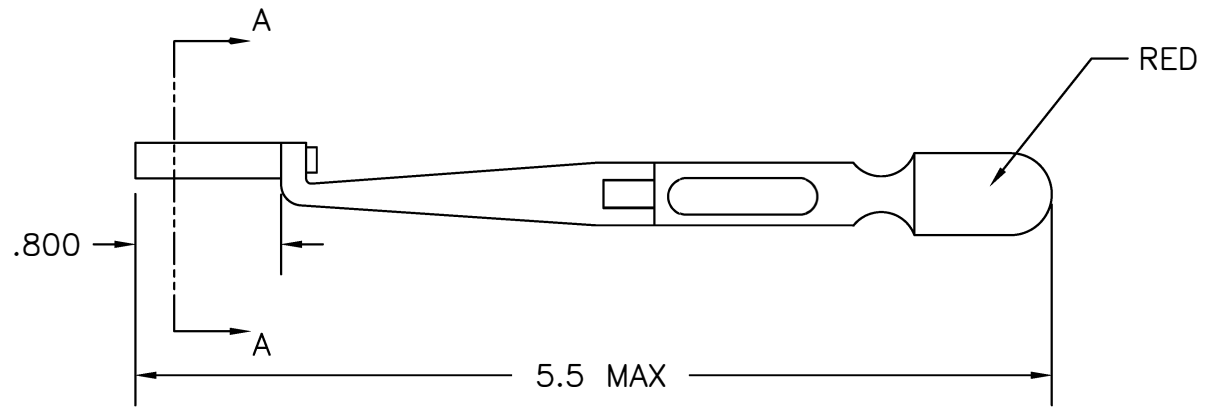


| REVISIONS | | | | |
|-----------|---------------|------------------|---------------|--------------|
| REV. SYM. | E.C.O. NUMBER | DESCRIPTION | BY DATE | APP'D DATE |
| 1 | | ORIGINAL RELEASE | KMS 7/2/87 | MM 7/2/87 |



VIEW A-A



1. FUNCTIONAL EQUIVALENT TO M81969/46-06

**UNCONTROLLED DOCUMENT
WILL NOT BE UPDATED**

| | | | | | |
|--|--|-------------|----------|--|--|
| RESTRICTED & CONFIDENTIAL <small>CONFIDENTIAL PROPERTY OF DANIELS MANUFACTURING CORP. NOT TO BE DISCLOSED TO OTHERS, REPRODUCED OR USED FOR ANY OTHER PURPOSE, EXCEPT AS AUTHORIZED IN WRITING BY DANIELS MANUFACTURING. MUST BE RETURNED TO DANIELS MANUFACTURING CORP. ON COMPLETION OF ORDER OR OTHER PURPOSE FOR WHICH LENT.</small> | | ITEM | PART NO. | QTY. | DESCRIPTION/REMARKS |
| | | DRN. | KMS | DATE 7/2/87 | DANIELS MANUFACTURING CORP. ORLANDO, FLORIDA CAGE 11851 |
| | | CHK'D. | MM | DATE 7/2/87 | |
| | | APP'D. | | DATE | |
| APP'D. | | DATE | | | |
| <small>NOTE: THIS DRAWING IS AN OUTLINE DRAWING OF THE RESPECTIVE DMC PART NUMBER INDICATED. ACTUAL DMC PART NUMBER IS DRAWING NUMBER WITHOUT THE "-ENV" SUFFIX.</small> | | TITLE | | #8 INSTALLING TOOL ENVELOPE DRAWING | |
| | | WHERE USED: | | SIZE | SCALE |
| DO NOT SCALE DRAWING | | POSTING | | DWG. NO. | REV. |
| | | | | DAK264-8-ENV | 1 |

X-ON Electronics

Largest Supplier of Electrical and Electronic Components

Click to view similar products for [Extraction, Removal & Insertion Tools](#) category:

Click to view products by [DMC manufacturer](#):

Other Similar products are found below :

[M8196914-08](#) [768211-2](#) [809-131](#) [844751-2](#) [8-59558-2](#) [91018-1](#) [12014013](#) [12093647](#) [1-21048-0](#) [R282867020](#) [12093078](#) [1-21048-6](#)
[12121897](#) [DCF.91.405.5LT](#) [1322](#) [15314260](#) [15350698](#) [15350707](#) [15430130](#) [1579018-4](#) [1643916-1](#) [1-679532-0](#) [1976593-3](#) [OUTEXT-0321](#)
[2-1579008-3](#) [2-1579008-4](#) [229694-7](#) [231106-1](#) [241469](#) [91040-3](#) [91040-7](#) [965004-000](#) [965069-000](#) [1738219-1](#) [ET-JL05-16](#) [FG 0300 146](#)
[3000](#) [FIT-6](#) [210S048](#) [2-1579007-9](#) [231879-1](#) [312138-3](#) [RJ11FODE](#) [356-162](#) [M8196914-10](#) [4-1579018-0](#) [430395-001](#) [483249-1](#) [5-](#)
[1579007-2](#) [5-1579007-9](#) [BPR10](#)