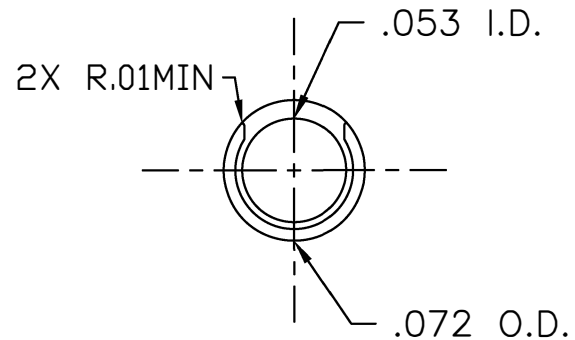
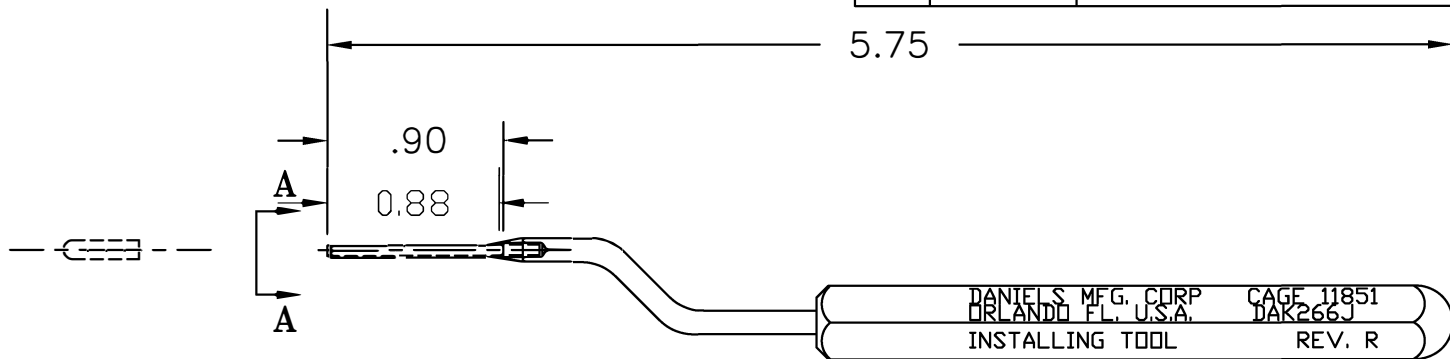



REVISIONS				
REV. SYM.	E.C.O. NUMBER	DESCRIPTION	BY DATE	APP'D DATE
3		UPDATED WITH .88	ENF 10.19.12	RRR 10.19.12
4		CORRECTED TITLE	K. KOONS 1.25.13	RRR 1.25.13
R		CHANGED REV TO MATCH PART	ENF 2-1-13	RRR 2-1-13



**VIEW A-A**

NOTES:

<p><b>RESTRICTED &amp; CONFIDENTIAL</b></p> <p>CONFIDENTIAL PROPERTY OF DANIELS MANUFACTURING CORP. NOT TO BE DISCLOSED TO OTHERS, REPRODUCED OR USED FOR ANY OTHER PURPOSE, EXCEPT AS AUTHORIZED IN WRITING BY DANIELS MANUFACTURING. MUST BE RETURNED TO DANIELS MANUFACTURING CORP. ON COMPLETION OF ORDER OR OTHER PURPOSE FOR WHICH LENT.</p>	MATERIAL	ITEM	PART NO.	QTY.	DESCRIPTION/REMARKS																
	HEAT TREAT	DRN.	E. DIAZ	DATE	 <p>DANIELS MANUFACTURING CORP. ORLANDO, FLORIDA CAGE 11851</p>																
		CHK'D.	DE	DATE																	
	FINISH	APP'D.		DATE		TITLE															
APP'D.			DATE	INSTALLING TOOL ENVELOPE DRAWING																	
DO NOT SCALE DRAWING		NOTE: THIS DRAWING IS AN OUTLINE DRAWING OF THE RESPECTIVE DMC PART NUMBER INDICATED. ACTUAL DMC PART NUMBER IS DRAWING NUMBER WITHOUT THE "-ENV" SUFFIX.		WHERE USED:	<table border="1"> <tr> <td>SIZE</td> <td>SCALE</td> <td>CAD P/N</td> <td>SHEET OF</td> </tr> <tr> <td>A</td> <td>NTS</td> <td>DAK266J-ENV</td> <td>1 1</td> </tr> <tr> <td>POSTING</td> <td>DWG. NO.</td> <td>DAK266J-ENV</td> <td>REV.</td> </tr> <tr> <td></td> <td></td> <td></td> <td>R</td> </tr> </table>	SIZE	SCALE	CAD P/N	SHEET OF	A	NTS	DAK266J-ENV	1 1	POSTING	DWG. NO.	DAK266J-ENV	REV.				R
SIZE	SCALE	CAD P/N	SHEET OF																		
A	NTS	DAK266J-ENV	1 1																		
POSTING	DWG. NO.	DAK266J-ENV	REV.																		
			R																		

## X-ON Electronics

Largest Supplier of Electrical and Electronic Components

*Click to view similar products for [Extraction, Removal & Insertion Tools](#) category:*

*Click to view products by [DMC manufacturer](#):*

Other Similar products are found below :

[M8196914-08](#) [768211-2](#) [809-131](#) [844751-2](#) [8-59558-2](#) [91018-1](#) [12014013](#) [12093647](#) [1-21048-0](#) [R282867020](#) [12093078](#) [1-21048-6](#)  
[12121897](#) [DCF.91.405.5LT](#) [1322](#) [15314260](#) [15350698](#) [15350707](#) [15430130](#) [1579018-4](#) [1643916-1](#) [1-679532-0](#) [1976593-3](#) [OUTEXT-0321](#)  
[2-1579008-3](#) [2-1579008-4](#) [229694-7](#) [231106-1](#) [241469](#) [91040-3](#) [91040-7](#) [965004-000](#) [965069-000](#) [1738219-1](#) [ET-JL05-16](#) [FG 0300 146](#)  
[3000](#) [FIT-6](#) [210S048](#) [2-1579007-9](#) [231879-1](#) [312138-3](#) [RJ11FODE](#) [356-162](#) [M8196914-10](#) [4-1579018-0](#) [430395-001](#) [483249-1](#) [5-](#)  
[1579007-2](#) [5-1579007-9](#) [BPR10](#)