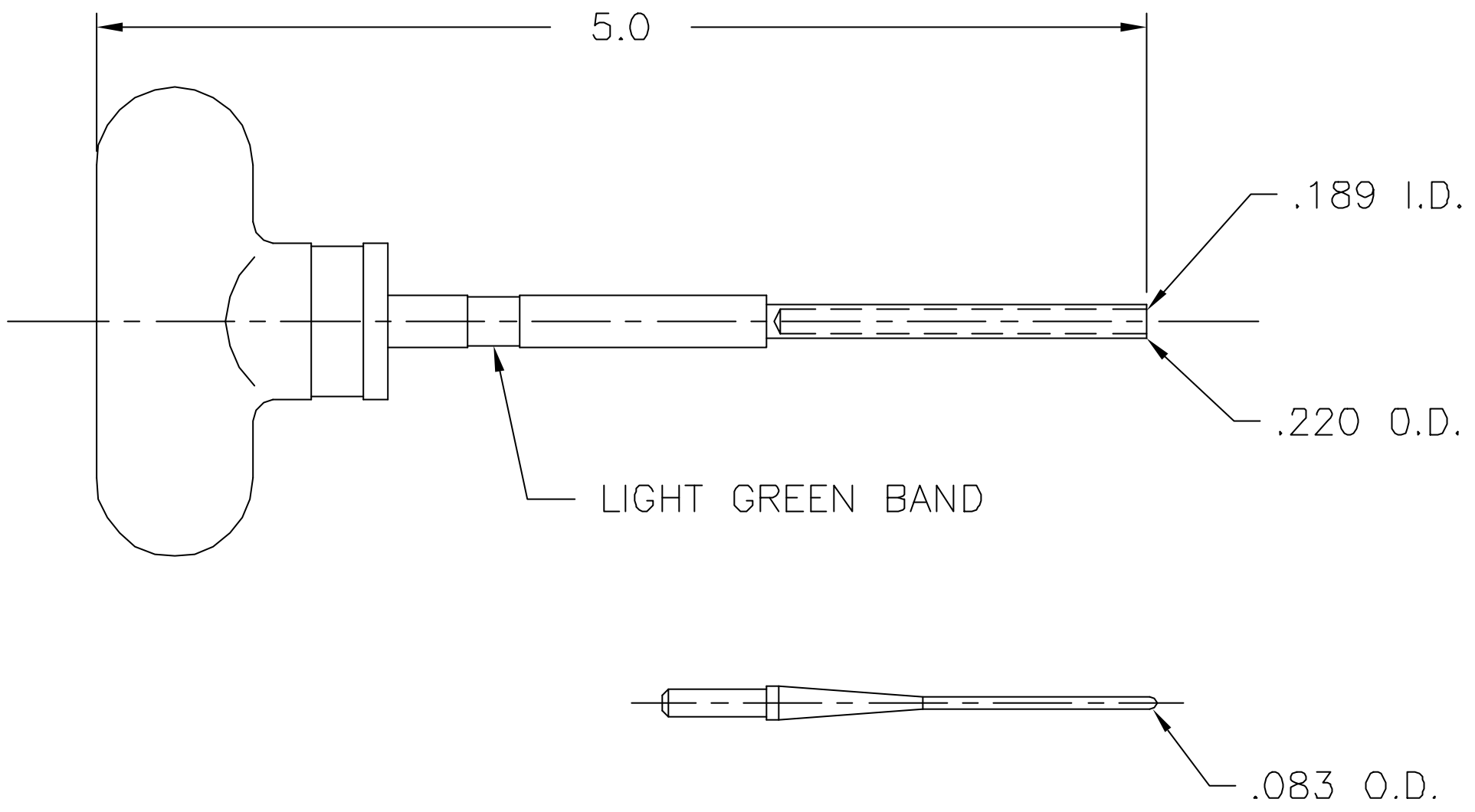


**UNCONTROLLED DOCUMENT  
WILL NOT BE UPDATED**

| REVISIONS |               |                  |               |            |
|-----------|---------------|------------------|---------------|------------|
| REV. SYM. | E.C.O. NUMBER | DESCRIPTION      | BY DATE       | APP'D DATE |
| 1         |               | ORIGINAL RELEASE | LGV<br>3/6/90 | JS<br>3/90 |




1. PLESSEY 558/1/00582/000.

NOTES:

**RESTRICTED & CONFIDENTIAL**  
CONFIDENTIAL PROPERTY OF DANIELS MANUFACTURING CORP. NOT TO BE DISCLOSED TO OTHERS, REPRODUCED OR USED FOR ANY OTHER PURPOSE EXCEPT AS AUTHORIZED IN WRITING BY DANIELS MANUFACTURING. MUST BE RETURNED TO DANIELS MANUFACTURING CORP. ON COMPLETION OF ORDER OR OTHER PURPOSES FOR WHICH LENT.

DO NOT SCALE DRAWING

| MATERIAL   | ITEM                                                                                                                                                         | PART NO.     | QTY.                  | DESCRIPTION/REMARKS                                                                                                                                 |
|------------|--------------------------------------------------------------------------------------------------------------------------------------------------------------|--------------|-----------------------|-----------------------------------------------------------------------------------------------------------------------------------------------------|
|            | DRN.                                                                                                                                                         | LV           | DATE<br>3/6/90        |  DANIELS MANUFACTURING CORP.<br>ORLANDO, FLORIDA<br>CAGE 11851 |
|            | CHK'D.                                                                                                                                                       | JS           | DATE<br>3/6/90        |                                                                                                                                                     |
| HEAT TREAT | APP'D.                                                                                                                                                       | RS           | DATE<br>3/7/90        | TITLE<br><b>INSTALLING TOOL #12 SKT<br/>ENVELOPE DRAWING</b>                                                                                        |
|            | APP'D.                                                                                                                                                       | AAM          | DATE<br>3/7/90        |                                                                                                                                                     |
| FINISH     | NOTE:<br>THIS DRAWING IS AN OUTLINE DRAWING OF THE RESPECTIVE DMC PART NUMBER INDICATED. ACTUAL DMC PART NUMBER IS DRAWING NUMBER WITHOUT THE "-ENV" SUFFIX. |              |                       | WHERE USED:                                                                                                                                         |
|            | SIZE<br>A                                                                                                                                                    | SCALE<br>NTS | CAD P/N<br>DAK384-ENV | SHEET OF<br>1 1                                                                                                                                     |
|            |                                                                                                                                                              |              | POSTING               | DWG. NO.<br>DAK384-ENV                                                                                                                              |
|            |                                                                                                                                                              |              |                       | REV.<br>1                                                                                                                                           |

## X-ON Electronics

Largest Supplier of Electrical and Electronic Components

*Click to view similar products for [Extraction, Removal & Insertion Tools](#) category:*

*Click to view products by [DMC](#) manufacturer:*

Other Similar products are found below :

[M8196914-08](#) [768211-2](#) [809-131](#) [844751-2](#) [8-59558-2](#) [91018-1](#) [12014013](#) [12093647](#) [1-21048-0](#) [R282867020](#) [12093078](#) [1-21048-6](#)  
[12121897](#) [DCF.91.405.5LT](#) [1322](#) [15314260](#) [15350698](#) [15350707](#) [15430130](#) [1579018-4](#) [1643916-1](#) [1-679532-0](#) [1976593-3](#) [OUTEXT-0321](#)  
[2-1579008-3](#) [2-1579008-4](#) [229694-7](#) [231106-1](#) [241469](#) [91040-3](#) [91040-7](#) [965004-000](#) [965069-000](#) [1738219-1](#) [ET-JL05-16](#) [FG 0300 146](#)  
[3000](#) [FIT-6](#) [210S048](#) [2-1579007-9](#) [231879-1](#) [312138-3](#) [RJ11FODE](#) [356-162](#) [M8196914-10](#) [4-1579018-0](#) [430395-001](#) [483249-1](#) [5-](#)  
[1579007-2](#) [5-1579007-9](#) [BPR10](#)