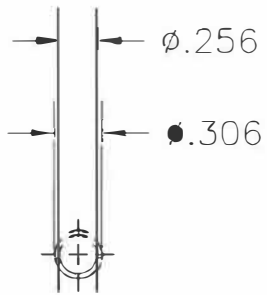
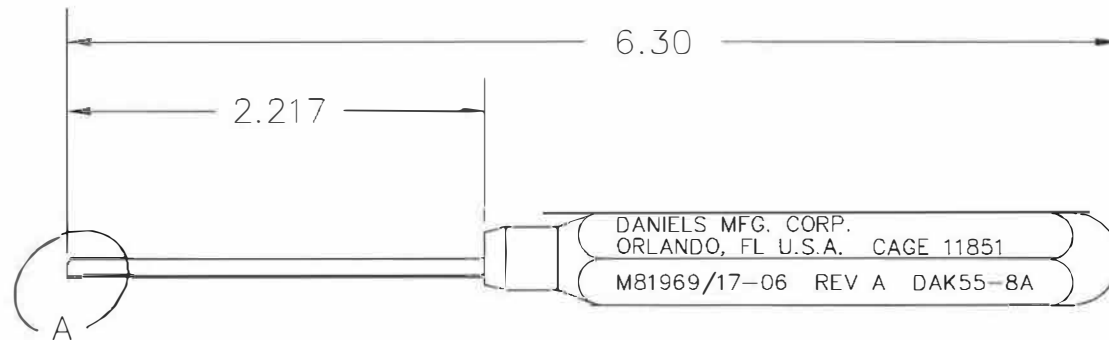


REVISIONS				
REV. SYM.	E.C.O. NUMBER	DESCRIPTION	BY DATE	APP'D DATE
1		ORIGINAL RELEASE	JWJ 11/20/99	RRR 11/20/99



VIEW A



**RESTRICTED & CONFIDENTIAL**


CONFIDENTIAL PROPERTY OF DANIELS MANUFACTURING CORP. NOT TO BE DISCLOSED TO OTHERS, REPRODUCED OR USED FOR ANY OTHER PURPOSE, EXCEPT AS AUTHORIZED IN WRITING BY DANIELS MANUFACTURING. MUST BE RETURNED TO DANIELS MANUFACTURING CORP. ON COMPLETION OF ORDER OR OTHER PURPOSE FOR WHICH LENT.

DO NOT SCALE DRAWING

MATERIAL

HEAT TREAT

FINISH

ITEM	PART NO.	QTY.	DESCRIPTION/REMARKS																				
DRN. J. JOYCE	DATE 11/20/99		 DANIELS MANUFACTURING CORP. ORLANDO, FLORIDA CAGE 11851																				
CHK'D. RRR	DATE 11/20/99																						
APP'D.	DATE		TITLE																				
APP'D.	DATE		INSTALLING TOOL #8 ENVELOPE DRAWING																				
NOTE:			WHERE USED:																				
THIS DRAWING IS AN OUTLINE DRAWING OF THE RESPECTIVE DMC PART NUMBER INDICATED. ACTUAL DMC PART NUMBER IS DRAWING NUMBER WITHOUT THE "-ENV" SUFFIX.			<table border="1"> <tr> <td>SIZE</td> <td>SCALE</td> <td>CAD P/N</td> <td>SHEET</td> <td>OF</td> </tr> <tr> <td>A</td> <td>NTS</td> <td>DAK55-8A-ENV</td> <td>1</td> <td>1</td> </tr> <tr> <td>POSTING</td> <td></td> <td>DWG. NO.</td> <td></td> <td>REV.</td> </tr> <tr> <td></td> <td></td> <td>DAK55-8A-ENV</td> <td></td> <td>1</td> </tr> </table>	SIZE	SCALE	CAD P/N	SHEET	OF	A	NTS	DAK55-8A-ENV	1	1	POSTING		DWG. NO.		REV.			DAK55-8A-ENV		1
SIZE	SCALE	CAD P/N	SHEET	OF																			
A	NTS	DAK55-8A-ENV	1	1																			
POSTING		DWG. NO.		REV.																			
		DAK55-8A-ENV		1																			

## X-ON Electronics

Largest Supplier of Electrical and Electronic Components

*Click to view similar products for [Extraction, Removal & Insertion Tools](#) category:*

*Click to view products by [DMC](#) manufacturer:*

Other Similar products are found below :

[M8196914-08](#) [768211-2](#) [809-131](#) [844751-2](#) [8-59558-2](#) [91018-1](#) [12014013](#) [12093647](#) [1-21048-0](#) [R282867020](#) [12093078](#) [1-21048-6](#)  
[12121897](#) [DCF.91.405.5LT](#) [1322](#) [15314260](#) [15350698](#) [15350707](#) [15430130](#) [1579018-4](#) [1643916-1](#) [1-679532-0](#) [1976593-3](#) [OUTEXT-0321](#)  
[2-1579008-3](#) [2-1579008-4](#) [229694-7](#) [231106-1](#) [241469](#) [91040-3](#) [91040-7](#) [965004-000](#) [965069-000](#) [1738219-1](#) [ET-JL05-16](#) [FG 0300 146](#)  
[3000](#) [FIT-6](#) [210S048](#) [2-1579007-9](#) [231879-1](#) [312138-3](#) [RJ11FODE](#) [356-162](#) [M8196914-10](#) [4-1579018-0](#) [430395-001](#) [483249-1](#) [5-](#)  
[1579007-2](#) [5-1579007-9](#) [BPR10](#)