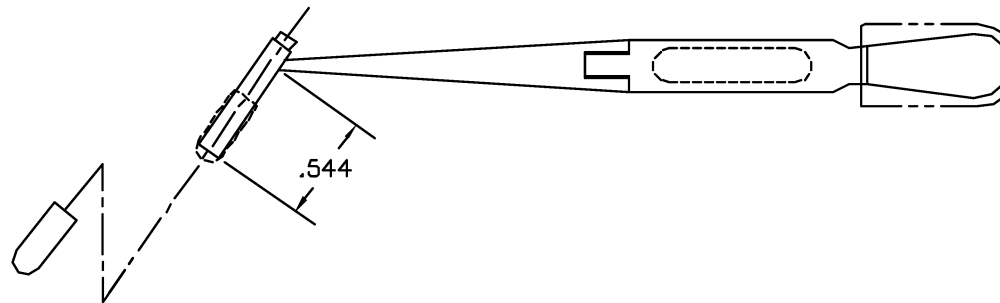
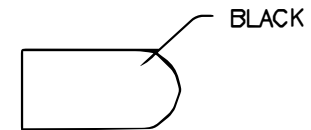
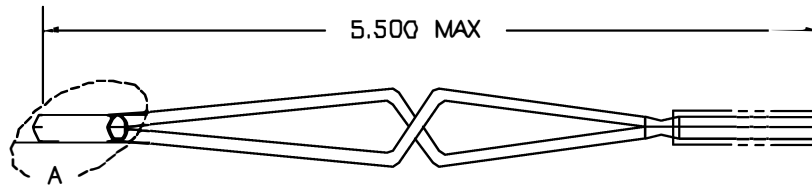
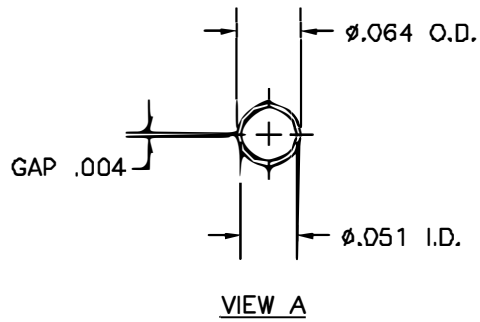



REVISIONS				
REV. SYM.	ECO. NUMBER	DESCRIPTION	BY DATE	APP'D DATE
1		ORIGINAL RELEASE	MC 2/14/98	DE 2/98



**UNCONTROLLED DOCUMENT
WILL NOT BE UPDATED**

RESTRICTED & CONFIDENTIAL CONFIDENTIAL PROPERTY OF DANIELS MANUFACTURING CORP. NOT TO BE DISCLOSED TO OTHERS, REPRODUCED OR USED FOR ANY OTHER PURPOSE, EXCEPT AS AUTHORIZED IN WRITING BY DANIELS MANUFACTURING. MUST BE RETURNED TO DANIELS MANUFACTURING CORP. ON COMPLETION OF ORDER OR OTHER PURPOSE FOR WHICH LENT.	MATERIAL	ITEM	PART NO.	QTY.	DESCRIPTION/REMARKS
	DATE	HEAT TREAT	URN.	MC	DATE 2/14/98
			CHK'D.	DE	DATE 2/98
			APP'D.		DATE
	FINISH				 DANIELS MANUFACTURING CORP. ORLANDO, FLORIDA CAGE 71851
DO NOT SCALE DRAWING					TITLE ENVELOPE DRAWING INSTALLING TOOL #22M (M81959/B-01 REV. A)
					WHERE USED SIZE SCALE CAD P/N SHEET OF B NTS DAK95-22MA-ENV 1 1
					POSTING P/N REV. DAK95-22MA-ENV 1

X-ON Electronics

Largest Supplier of Electrical and Electronic Components

Click to view similar products for [Pliers & Tweezers](#) category:

Click to view products by [DMC](#) manufacturer:

Other Similar products are found below :

[0031](#) [32750](#) [PN-5050/38D](#) [PG-TP-30D](#) [PG-DP-18-N](#) [G77015](#) [4-1532129-2](#) [77 12 115](#) [0037](#) [T0058765801](#) [571](#) [76C](#) [MICROFOX-SP-1_DB](#)
[37 31 125](#) [RX 8130](#) [37 33 125](#) [DRP10N](#) [32 11 135](#) [36 12 130](#) [0036](#) [64 11 115](#) [0032](#) [HT-109](#) [6211-06](#) [6214-45](#) [6217-05](#) [6231-07](#) [6231-08](#)
[6411-06](#) [DP15N](#) [DP20N](#) [PN 5050/10D](#) [PN 5050/19D](#) [PNI 5000](#) [TR 25 15](#) [TR 25 P A](#) [TR 30 58 R A](#) [TR 5000](#) [TR 5000 10 D](#) [TR 5000 PG](#)
[TR 5000 PR](#) [MICROFOX-SP_DB](#) [CUTFOX-SE LM](#) [CUTFOX-SE LM_DB](#) [FMHT0-80519](#) [TR 58 R A](#) [27388](#) [43333](#) [102ACAX](#) [103ACA](#)