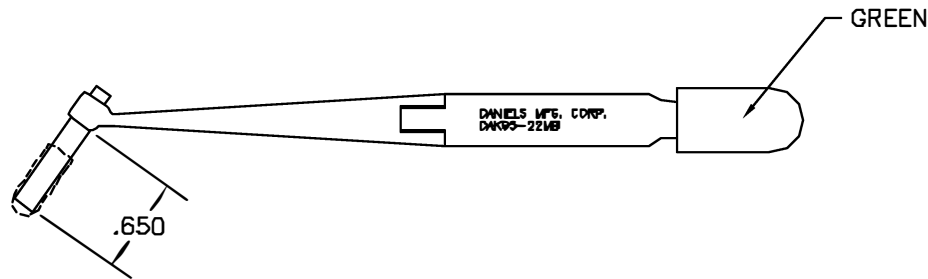
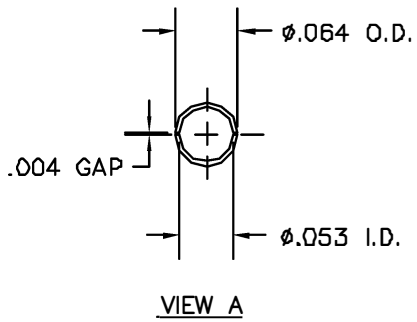



REVISIONS				
REV. SYM.	E.C.G. NUMBER	DESCRIPTION	BY DATE	APP'D DATE
1		ORIGINAL RELEASE	JWJ 11/2/99	RRR 11/3/99



**UNCONTROLLED DOCUMENT  
WILL NOT BE UPDATED**

<b>RESTRICTED &amp; CONFIDENTIAL</b>		ITEM	PART NO.	QTY.	DESCRIPTION/REMARKS
CONFIDENTIAL PROPERTY OF DANIELS MANUFACTURING CORP. NOT TO BE DISCLOSED TO OTHERS, REPRODUCED OR USED FOR ANY OTHER PURPOSE, EXCEPT AS AUTHORIZED IN WRITING BY DANIELS MANUFACTURING. MUST BE RETURNED TO DANIELS MANUFACTURING CORP. ON COMPLETION OF ORDER OR OTHER PURPOSE FOR WHICH LENT.		URN.	J. JOYCE	DATE 11/3/99	 <b>DANIELS MANUFACTURING CORP.</b> ORLANDO, FLORIDA CAGE 71851
		CHK'D.	RRR	DATE 11/3/99	
		APP'D.		DATE	
		APP'D.		DATE	
DO NOT SCALE DRAWING		TITLE			INSTALLING TOOL ENVELOPE DRAWING
		WHERE USED			
		SIZE E	SCALE NTS	CAD P/N DAK95-22MB-ENV	SHEET 1
		POSTING	P/N DAK95-22MB-ENV	REV. 1	

## X-ON Electronics

Largest Supplier of Electrical and Electronic Components

*Click to view similar products for [Pliers & Tweezers](#) category:*

*Click to view products by [DMC](#) manufacturer:*

Other Similar products are found below :

[0031](#) [32750](#) [PN-5050/38D](#) [PG-TP-30D](#) [PG-DP-18-N](#) [G77015](#) [4-1532129-2](#) [77 12 115](#) [0037](#) [T0058765801](#) [571](#) [76C](#) [MICROFOX-SP-1\\_DB](#)  
[37 31 125](#) [RX 8130](#) [37 33 125](#) [DRP10N](#) [32 11 135](#) [36 12 130](#) [0036](#) [0032](#) [HT-109](#) [6211-06](#) [6214-45](#) [6217-05](#) [6231-07](#) [6231-08](#) [6411-06](#)  
[DP15N](#) [DP20N](#) [PN 5050/10D](#) [PN 5050/19D](#) [PNI 5000](#) [TR 20 M](#) [TR 25 15](#) [TR 25 P A](#) [TR 30 58 R A](#) [TR 5000](#) [TR 5000 10 D](#) [TR 5000 PG](#)  
[TR 5000 PR](#) [MICROFOX-SP\\_DB](#) [CUTFOX-SE LM](#) [CUTFOX-SE LM\\_DB](#) [FMHT0-80519](#) [TR 58 R A](#) [43333](#) [102ACAX](#) [103ACA](#)  
[141SAP](#)