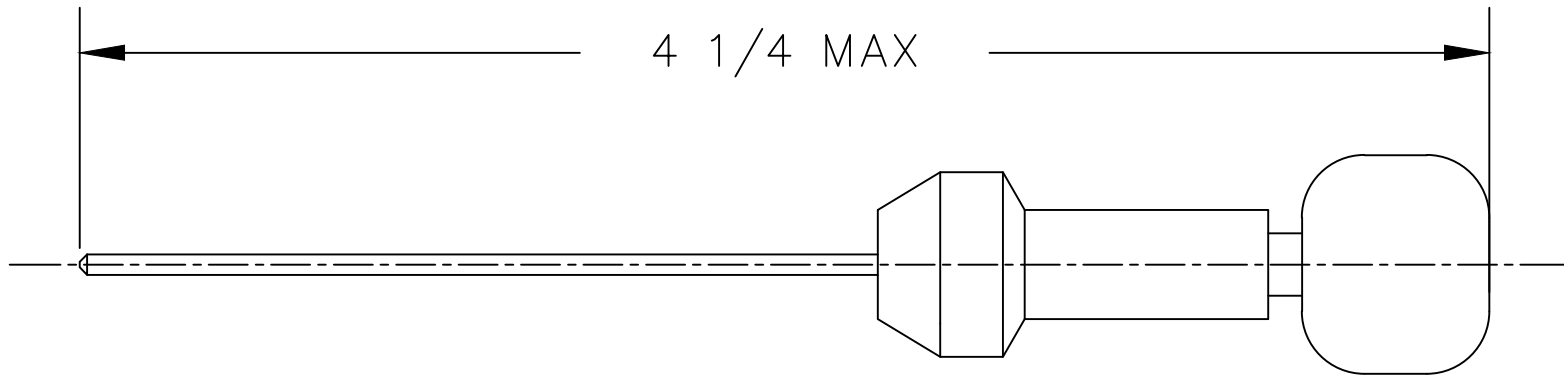


| REVISIONS |               |                  |            |            |
|-----------|---------------|------------------|------------|------------|
| REV. SYM. | E.C.O. NUMBER | DESCRIPTION      | BY DATE    | APP'D DATE |
| 1         |               | ORIGINAL RELEASE | ENF 7/2/14 | RRR 7/2/14 |



**UNCONTROLLED DOCUMENT  
WILL NOT BE UPDATED**

1. REMOVAL TOOL HANDLE ONLY, NO PROBE TIPS INCLUDED

NOTES:

|                                      |  |   |     |  |  |             |  |      |
|--------------------------------------|--|---|-----|--|--|-------------|--|------|
| <b>RESTRICTED &amp; CONFIDENTIAL</b> |  | MATERIAL  |     | ITEM   | PART NO.   | QTY.        | DESCRIPTION/REMARKS  |      |
|                                      |  | HEAT TREAT  |     | DRN.   | ENF  | DATE 7/2/14 | <b>DANIELS MANUFACTURING CORP.</b><br>ORLANDO, FLORIDA<br>CAGE 11851 |      |
| FINISH                               |  |   |     | CHK'D.   | RRR  | DATE 7/2/14 |  |      |
|                                      |  | APP'D.  | ENF | DATE 7/2/14  | WHERE USED:<br>SIZE <b>B</b> SCALE <b>NTS</b> CAD P/N <b>DRK105-1SA-ENV</b> SHEET <b>1</b> OF <b>1</b> |             |  |      |
| DO NOT SCALE DRAWING                 |  | CONFIDENTIAL PROPERTY OF DANIELS MANUFACTURING CORP. NOT TO BE DISCLOSED TO OTHERS, REPRODUCED OR USED FOR ANY OTHER PURPOSE, EXCEPT AS AUTHORIZED IN WRITING BY DANIELS MANUFACTURING. MUST BE RETURNED TO DANIELS MANUFACTURING CORP. ON COMPLETION OF ORDER OR OTHER PURPOSE FOR WHICH LENT. |     | APP'D.   |  |             |  | DATE |
|                                      |  |   |     | NOTE:<br>THIS DRAWING IS AN OUTLINE DRAWING OF THE RESPECTIVE DMC PART NUMBER INDICATED. ACTUAL DMC PART NUMBER IS DRAWING NUMBER WITHOUT THE "-ENV" SUFFIX. |  |             |  |      |

## X-ON Electronics

Largest Supplier of Electrical and Electronic Components

*Click to view similar products for [Extraction, Removal & Insertion Tools](#) category:*

*Click to view products by [DMC manufacturer](#):*

Other Similar products are found below :

[M8196914-08](#) [768211-2](#) [809-131](#) [844751-2](#) [8-59558-2](#) [91018-1](#) [12014013](#) [12093647](#) [1-21048-0](#) [R282867020](#) [12093078](#) [1-21048-6](#)  
[12121897](#) [DCF.91.405.5LT](#) [1322](#) [15314260](#) [15313892](#) [15350698](#) [15350707](#) [15430130](#) [1579018-4](#) [1643916-1](#) [1-679532-0](#) [1976593-3](#)  
[OUTEXT-0321](#) [2-1579008-3](#) [2-1579008-4](#) [229694-7](#) [231106-1](#) [241469](#) [91040-3](#) [91040-7](#) [965004-000](#) [965069-000](#) [1738219-1](#) [ET-JL05-16](#)  
[FG 0300 146 3000](#) [FIT-6](#) [210S048](#) [2-1579007-9](#) [231879-1](#) [312138-3](#) [RJ11FODE](#) [356-162](#) [M8196914-10](#) [4-1579018-0](#) [430395-001](#) [483249-](#)  
[1](#) [5-1579007-2](#) [5-1579007-9](#)