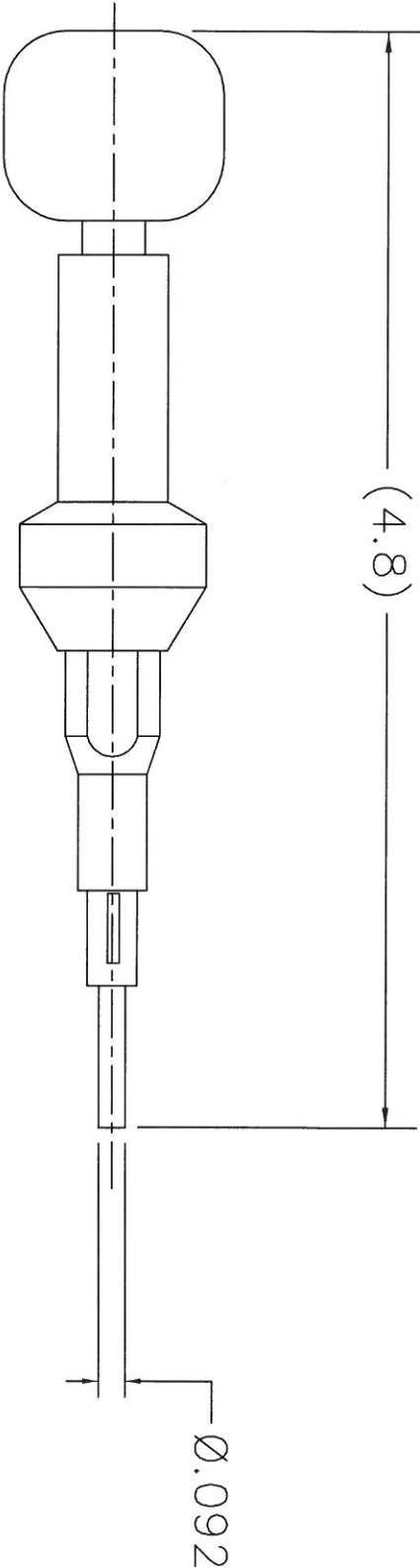


REVISIONS			
REV. NUMBER	E.C.O. NUMBER	DESCRIPTION	BY DATE
1		ORIGINAL RELEASE	MF 3/5/13

**UNCONTROLLED DOCUMENT
WILL NOT BE UPDATED**

ALL DIMENSIONS ARE IN INCHES UNLESS OTHERWISE SPECIFIED



RESTRICTED & CONFIDENTIAL		CONFIDENTIAL PROPERTY OF DANIELS MANUFACTURING CORP. NOT TO BE REPRODUCED, COPIED, EITHER WHOLLY OR USED FOR ANY OTHER PURPOSE EXCEPT AS AUTHORIZED IN WRITING BY DANIELS MANUFACTURING. MUST BE RETURNED TO DANIELS MANUFACTURING CORP. ON COMPLETION OF ORDER OR OTHER PURPOSE FOR WHICH LENT.	
MATERIAL		HEAT TREAT	
FINISH			

DO NOT SCALE DRAWING		NOTE: THIS DRAWING IS AN OUTLINE DRAWING OF THE RESPECTIVE INDICATED ACTUAL DIMC PART NUMBER. DIMC PART NUMBER WITHOUT THE "-ENV" SUFFIX	
ITEM	PART NO.	QTY.	DESCRIPTION/REMARKS
DRN. MF	DATE 3/5/13		DMC DANIELS MANUFACTURING CORP. ORLANDO, FLORIDA CAGE 11851
CHK'D.	DATE		TITLE REMOVAL TOOL ENVELOPE DRAWING
APP'D.	DATE		WHERE USED: CAD P/N DRK276-16-ENV SHEET 1 OF 1 P/N DRK276-16-ENV REV. 1

X-ON Electronics

Largest Supplier of Electrical and Electronic Components

Click to view similar products for [Extraction, Removal & Insertion Tools](#) category:

Click to view products by [DMC manufacturer](#):

Other Similar products are found below :

[M8196914-08](#) [768211-2](#) [809-131](#) [844751-2](#) [8-59558-2](#) [91018-1](#) [12014013](#) [12093647](#) [1-21048-0](#) [R282867020](#) [12093078](#) [1-21048-6](#)
[12121897](#) [DCF.91.405.5LT](#) [1322](#) [15314260](#) [15350698](#) [15350707](#) [15430130](#) [1579018-4](#) [1643916-1](#) [1-679532-0](#) [1976593-3](#) [OUTEXT-0321](#)
[2-1579008-3](#) [2-1579008-4](#) [229694-7](#) [231106-1](#) [241469](#) [91040-3](#) [91040-7](#) [965004-000](#) [965069-000](#) [1738219-1](#) [ET-JL05-16](#) [FG 0300 146](#)
[3000](#) [FIT-6](#) [210S048](#) [2-1579007-9](#) [231879-1](#) [312138-3](#) [RJ11FODE](#) [356-162](#) [M8196914-10](#) [4-1579018-0](#) [430395-001](#) [483249-1](#) [5-](#)
[1579007-2](#) [5-1579007-9](#) [BPR10](#)