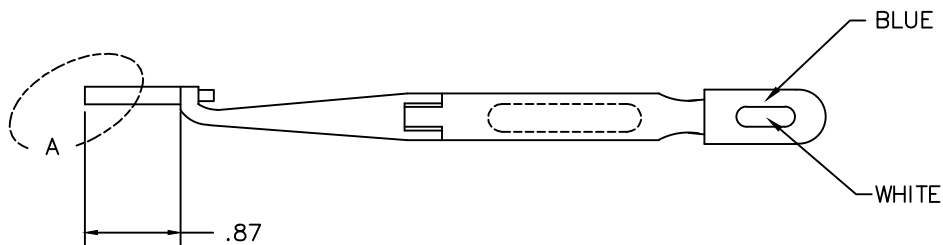
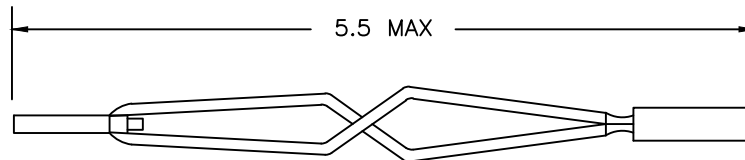
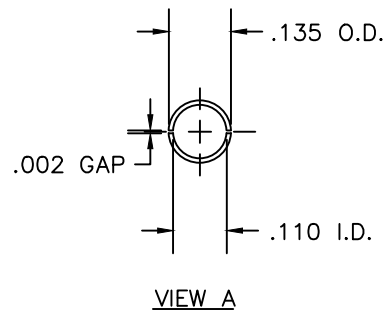



REVISIONS				
REV. SYM.	E.C.O. NUMBER	DESCRIPTION	BY DATE	APP'D DATE
1		ORIGINAL RELEASE	PD 6/19/90	LGV 6/90



**UNCONTROLLED DOCUMENT
WILL NOT BE UPDATED**
DIMENSIONS IN INCHES - UNLESS OTHERWISE SPECIFIED

RESTRICTED & CONFIDENTIAL		ITEM	PART NO.	QTY.	DESCRIPTION/REMARKS	
CONFIDENTIAL PROPERTY OF DANIELS MANUFACTURING CORP. NOT TO BE DISCLOSED TO OTHERS. REPRODUCED OR USED FOR ANY OTHER PURPOSE, EXCEPT AS AUTHORIZED IN WRITING BY DANIELS MANUFACTURING. MUST BE RETURNED TO DANIELS MANUFACTURING CORP. ON COMPLETION OF ORDER OR OTHER PURPOSE FOR WHICH LENT.		DRN.	PD	DATE 6/19/90	 DANIELS MANUFACTURING CORP. ORLANDO, FLORIDA CAGE 11851	
		CHK'D.	LGV	DATE 6/20/90		
		APP'D.	AAM	DATE 6/20/90		
		APP'D.		DATE		
NOTE: THIS DRAWING IS AN OUTLINE DRAWING OF THE RESPECTIVE DMC PART NUMBER INDICATED. ACTUAL DMC PART NUMBER IS DRAWING NUMBER WITHOUT THE "-ENV" SUFFIX.		TITLE			REMOVAL TOOL #16 ENVELOPE DRAWING	
		WHERE USED:			DWG. NO.	SHEET OF
		SIZE B	SCALE NTS	POSTING	DRK83-16S-ENV	1 1
DO NOT SCALE DRAWING		P/N			REV. 1	
		DRK83-16S				

X-ON Electronics

Largest Supplier of Electrical and Electronic Components

Click to view similar products for [Pliers & Tweezers](#) category:

Click to view products by [DMC](#) manufacturer:

Other Similar products are found below :

[0031](#) [32750](#) [PN-5050/38D](#) [PG-TP-30D](#) [PG-DP-18-N](#) [G77015](#) [4-1532129-2](#) [77 12 115](#) [0037](#) [T0058765801](#) [571](#) [76C](#) [MICROFOX-SP-1_DB](#)
[37 31 125](#) [RX 8130](#) [37 33 125](#) [DRP10N](#) [32 11 135](#) [36 12 130](#) [0036](#) [0032](#) [HT-109](#) [6211-06](#) [6214-45](#) [6217-05](#) [6231-07](#) [6231-08](#) [6411-06](#)
[DP15N](#) [DP20N](#) [PN 5050/10D](#) [PN 5050/19D](#) [PNI 5000](#) [TR 20 M](#) [TR 25 15](#) [TR 25 P A](#) [TR 30 58 R A](#) [TR 5000](#) [TR 5000 10 D](#) [TR 5000 PG](#)
[TR 5000 PR](#) [MICROFOX-SP_DB](#) [CUTFOX-SE LM](#) [CUTFOX-SE LM_DB](#) [FMHT0-80519](#) [TR 58 R A](#) [43333](#) [102ACAX](#) [103ACA](#)
[141SAP](#)