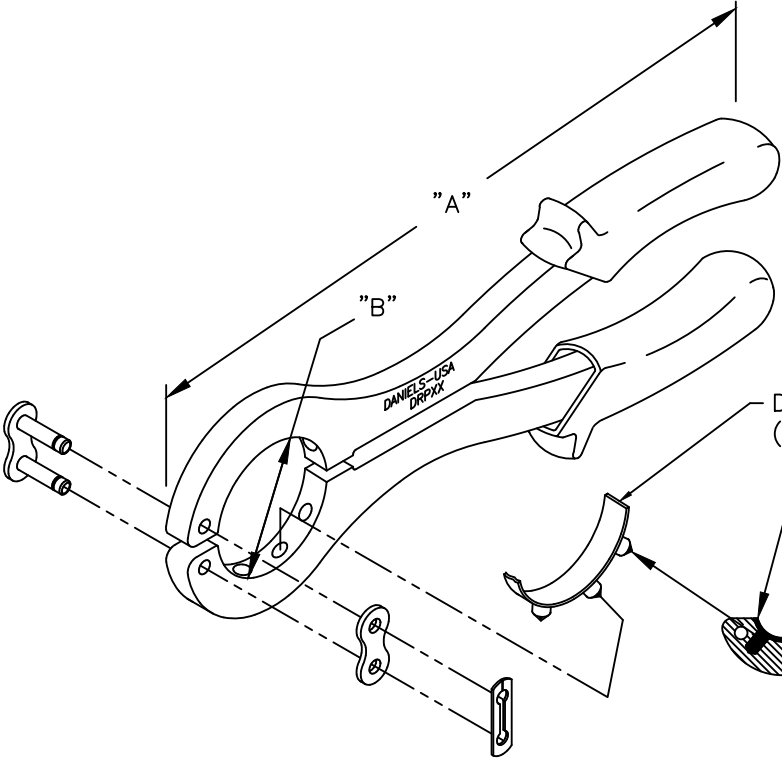


REVISIONS				
REV. SYM.	E.C.O. NUMBER	DESCRIPTION	BY DATE	APP'D DATE
1		ORIGINAL RELEASE	JMC 10-7-99	JWJ 10-7-99
2		RUBBER PAD P/N WAS GRP-008	JWJ 2/2/00	RRR 2/2/00

**UNCONTROLLED DOCUMENT
WILL NOT BE UPDATED**



DRP-078R RUBBER PAD (RED)
(.085" THICK X 4-1/4" LONG)

PLACE RUBBER PAD PINS IN TOOL
FRAME HOLES AND TRIM PAD EVEN
WITH TOOL FRAME ENDS

P/N	SHELL SIZE	"A"	ø"B"
DRP8	08/09	7 1/2	.617
DRP10	10/11	7 1/2	.734
DRP12	12/13	7 1/2	.848
DRP14	14/15	7 1/2	.954
DRP16	16/17	7 1/2	1.112
DRP18	18/19	8 1/2	1.198
DRP20	20/21	8 1/2	1.323
DRP22	22/23	8 1/2	1.448
DRP24	24/25	8 1/2	1.573
DRP26	26	8 1/2	1.655
DRP28	28	8 1/2	1.969

RESTRICTED & CONFIDENTIAL CONFIDENTIAL PROPERTY OF DANIELS MANUFACTURING CORP. NOT TO BE DISCLOSED TO OTHERS, REPRODUCED OR USED FOR ANY OTHER PURPOSE, EXCEPT AS AUTHORIZED IN WRITING BY DANIELS MANUFACTURING. MUST BE RETURNED TO DANIELS MANUFACTURING CORP. ON COMPLETION OF ORDER OR OTHER PURPOSE FOR WHICH LENT.	MATERIAL	ITEM	PART NO.	QTY.	DESCRIPTION/REMARKS		
	HEAT TREAT	DRN. JMC	DATE 10-7-99	DANIELS MANUFACTURING CORP. ORLANDO, FLORIDA CAGE 11851			
		CHK'D. JWJ	DATE 10-7-99				
		APP'D.	DATE				
FINISH	APP'D.	DATE	TITLE BACK SHELL PLIERS ENVELOPE DRAWING				
DO NOT SCALE DRAWING			NOTE: THIS DRAWING IS AN OUTLINE DRAWING OF THE RESPECTIVE DMC PART NUMBER INDICATED. ACTUAL DMC PART NUMBER IS DRAWING NUMBER WITHOUT THE "-ENV" SUFFIX.		WHERE USED:		
			SIZE B	SCALE NTS	CAD P/N DRP-ENV	SHEET 1	OF 1
			POSTING	DWG. NO. DRP-ENV		REV. 2	

X-ON Electronics

Largest Supplier of Electrical and Electronic Components

Click to view similar products for [Other Tools](#) category:

Click to view products by [DMC](#) manufacturer:

Other Similar products are found below :

[CR-0AFL4--332K](#) [568681-1](#) [5800-0090](#) [58061-1](#) [59065-5](#) [59085](#) [00-8273-RDPP](#) [00-8729-WHPP](#) [593033](#) [593072](#) [593564100](#) [593575](#)
[593593](#) [011349-000](#) [CRCW08052740FRT1](#) [LUC-012S070DSM](#) [LUC-018S070DSP](#) [LUC-024S105DSP](#) [599-2021-3-NME](#) [599-JJ-2021-03](#)
[00-5080-YWPP](#) [00-9089-RDPP](#) [00-9300-RDPP](#) [CRCW2010331JR02](#) [601-JJ-06](#) [601-SPB](#) [601YSY](#) [602-JJ-03](#) [602SPB](#) [603-JJ-07-FP](#) [603-](#)
[JJY-04](#) [M15570-25](#) [CRTN1013](#) [CS16](#) [6-1579014-0](#) [6203](#) [62200-5709](#) [6240-1](#) [M43435 TY 2 SZ 3 FIN B BLK](#) [M43435 TY 5 SZ 3 FIN C](#)
[NAT](#) [M-5Z](#) [M6816](#) [M7298](#) [M7456](#) [M7976](#) [660-29ABT1](#) [662508-1](#) [CVHD-950X-93.333](#) [CW104-01X](#) [671-GP-04-KT39-73207](#)