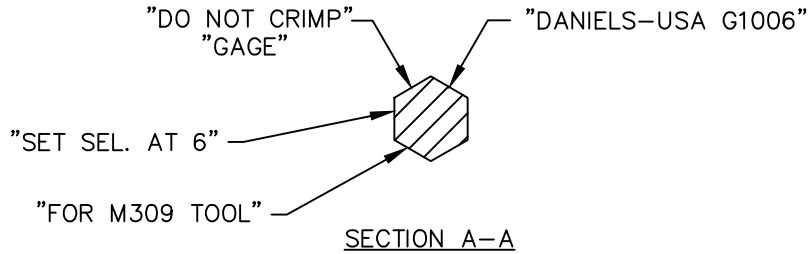
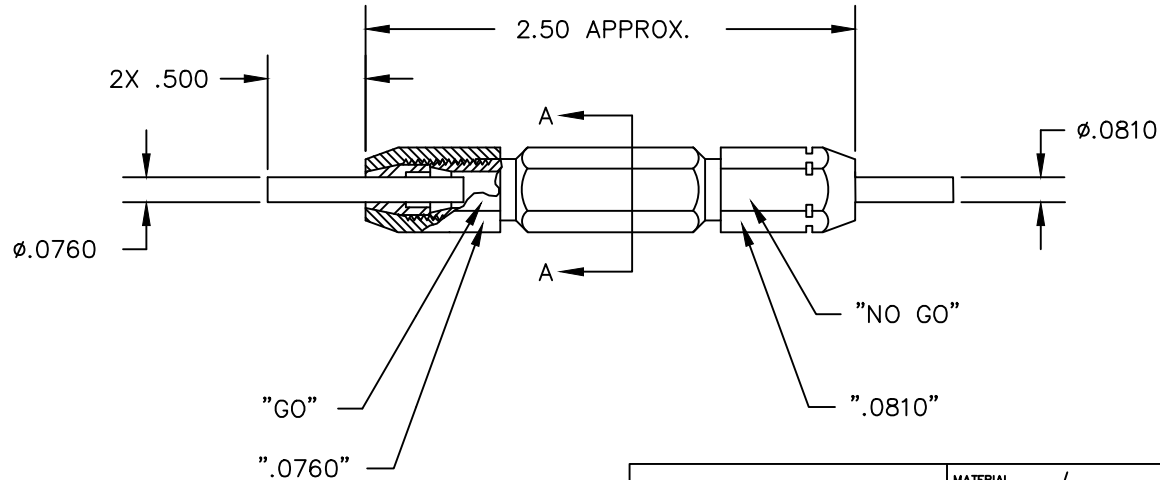


This document is for reference only. Users must assure they are using the correct revision.




REVISIONS				
REV. SYM.	E.C.O. NUMBER	DESCRIPTION	BY DATE	APP'D DATE
1		ORIGINAL RELEASE	K. KOONS 2.3.12	RRR 2.3.12



**UNCONTROLLED DOCUMENT  
WILL NOT BE UPDATED**  
DIMENSIONS IN INCHES - UNLESS OTHERWISE SPECIFIED

NOTES:

<p><b>RESTRICTED &amp; CONFIDENTIAL</b></p> <p>CONFIDENTIAL PROPERTY OF DANIELS MANUFACTURING CORP. NOT TO BE DISCLOSED TO OTHERS, REPRODUCED OR USED FOR ANY OTHER PURPOSE, EXCEPT AS AUTHORIZED IN WRITING BY DANIELS MANUFACTURING. MUST BE RETURNED TO DANIELS MANUFACTURING CORP. ON COMPLETION OF ORDER OR OTHER PURPOSE FOR WHICH SENT.</p>	MATERIAL	/ /		ITEM	PART NO.	QTY.	DESCRIPTION/REMARKS
	HEAT TREAT	/ /		DRN.	K. KOONS	DATE	 DANIELS MANUFACTURING CORP. ORLANDO, FLORIDA FSCM 11851
	FINISH	/ /		CHK'D.	RRR	DATE	
	DO NOT SCALE DRAWING			APP'D.		DATE	TITLE
				TOLERANCE: UNLESS OTHERWISE SPECIFIED FRACTIONS $\pm 1/32$ ANGLES $\pm 1/2^\circ$ DECIMALS: .X: $\pm .020$ .XX: $\pm .010$ .XXX: $\pm .005$ .XXXX: $\pm .0005$ REMOVE BURRS & BREAK SHARP EDGES .005-.015		WHERE USED: M309 SIZE B SCALE NTS CAD FILE NO. G1006-ENV SHEET OF 1 1 POSTING DWG. NO. G1006-ENV REV. 1	

## X-ON Electronics

Largest Supplier of Electrical and Electronic Components

*Click to view similar products for [Measuring Tools](#) category:*

*Click to view products by [DMC](#) manufacturer:*

Other Similar products are found below :

[G336](#) [GPP-36](#) [G426](#) [G1333](#) [G1327](#) [G1154](#) [G1150](#) [G1152](#) [G1157](#) [G1155](#) [G1063](#) [G1009](#) [20368](#) [G800](#) [G1229](#) [W066005](#) [01334](#) [16456](#)  
[17215](#) [17218](#) [17221](#) [17672](#) [17677](#) [17705](#) [17775](#) [02511](#) [YT-0863](#) [YT-0865](#) [YT-0866](#) [YT-7126](#) [YT-7131](#) [495006](#) [495007](#) [T3531](#) [100](#)  
[20285](#) [0-30-457](#) [0-30-487](#) [0-30-497](#) [0-33-195](#) [0-33-198](#) [1-45-685](#) [13011](#) [20145](#) [017080008](#) [02281](#) [02282](#) [02283](#) [02284](#) [02286](#) [02288](#)