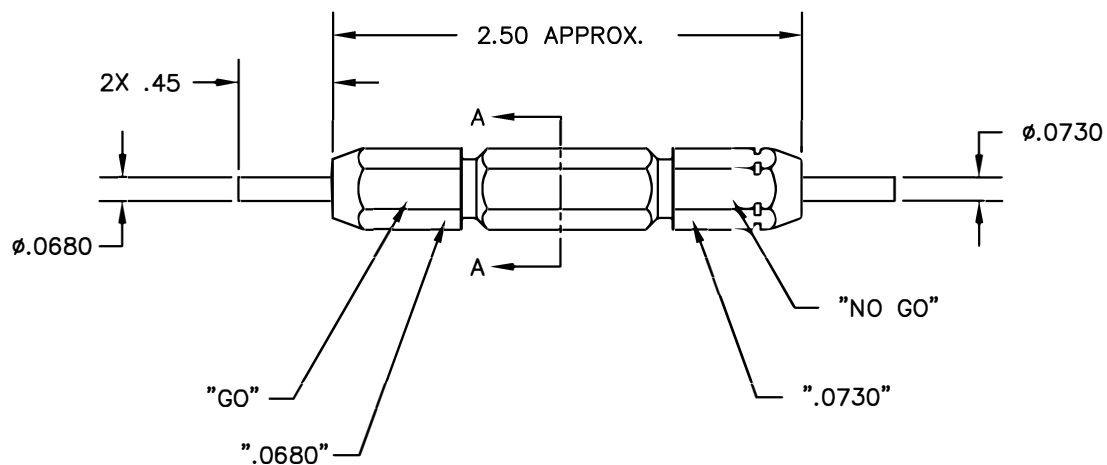
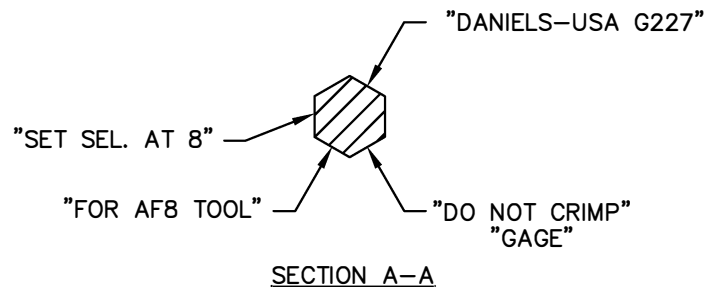


REVISIONS				
REV. SYM.	E.C.O. NUMBER	DESCRIPTION	BY DATE	APP'D DATE
1		ORIGINAL RELEASE	JWJ 1/20/04	RRR 1/20/04



**UNCONTROLLED DOCUMENT
WILL NOT BE UPDATED**

RESTRICTED & CONFIDENTIAL CONFIDENTIAL PROPERTY OF DANIELS MANUFACTURING CORP. NOT TO BE DISCLOSED TO OTHERS, REPRODUCED OR USED FOR ANY OTHER PURPOSE, EXCEPT AS AUTHORIZED IN WRITING BY DANIELS MANUFACTURING. MUST BE RETURNED TO DANIELS MANUFACTURING CORP. ON COMPLETION OF ORDER OR OTHER PURPOSE FOR WHICH LENT.	MATERIAL	ITEM	PART NO.	QTY.	DESCRIPTION/REMARKS								
	HEAT TREAT	DRN.	J. JOYCE	DATE	DANIELS MANUFACTURING CORP. ORLANDO, FLORIDA CAGE 11851								
		CHK'D.	RRR	DATE									
	FINISH	APP'D.		DATE	TITLE	GO/NO-GO GAGE ENVELOPE DRAWING							
APP'D.			DATE	WHERE USED:									
DO NOT SCALE DRAWING		NOTE: THIS DRAWING IS AN OUTLINE DRAWING OF THE RESPECTIVE DMG PART NUMBER INDICATED. ACTUAL DMG PART NUMBER IS DRAWING NUMBER WITHOUT THE "-ENV" SUFFIX.		SIZE	B	SCALE	NTS	CAD P/N	G227-ENV	SHEET	1	OF	1
		POSTING		DWG. NO.	G227-ENV	REV.	1						

X-ON Electronics

Largest Supplier of Electrical and Electronic Components

Click to view similar products for [Measuring Tools](#) category:

Click to view products by [DMC](#) manufacturer:

Other Similar products are found below :

[G336](#) [GPP-36](#) [G426](#) [G1333](#) [G1327](#) [G1154](#) [G1150](#) [G1152](#) [G1157](#) [G1155](#) [G1063](#) [G1009](#) [20368](#) [G800](#) [G1229](#) [W066005](#) [01334](#) [16456](#)
[17215](#) [17218](#) [17221](#) [17672](#) [17677](#) [17705](#) [17775](#) [02511](#) [YT-0863](#) [YT-0865](#) [YT-0866](#) [YT-7126](#) [YT-7131](#) [495006](#) [495007](#) [T3531](#) [100](#)
[20285](#) [0-30-457](#) [0-30-487](#) [0-30-497](#) [0-33-195](#) [0-33-198](#) [1-45-685](#) [13011](#) [20145](#) [017080008](#) [02281](#) [02282](#) [02283](#) [02284](#) [02286](#) [02288](#)