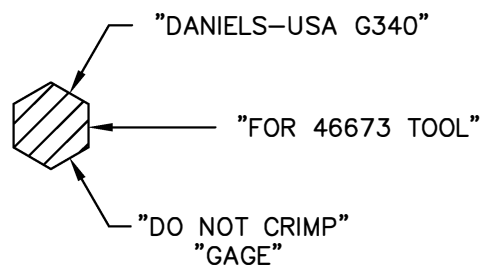
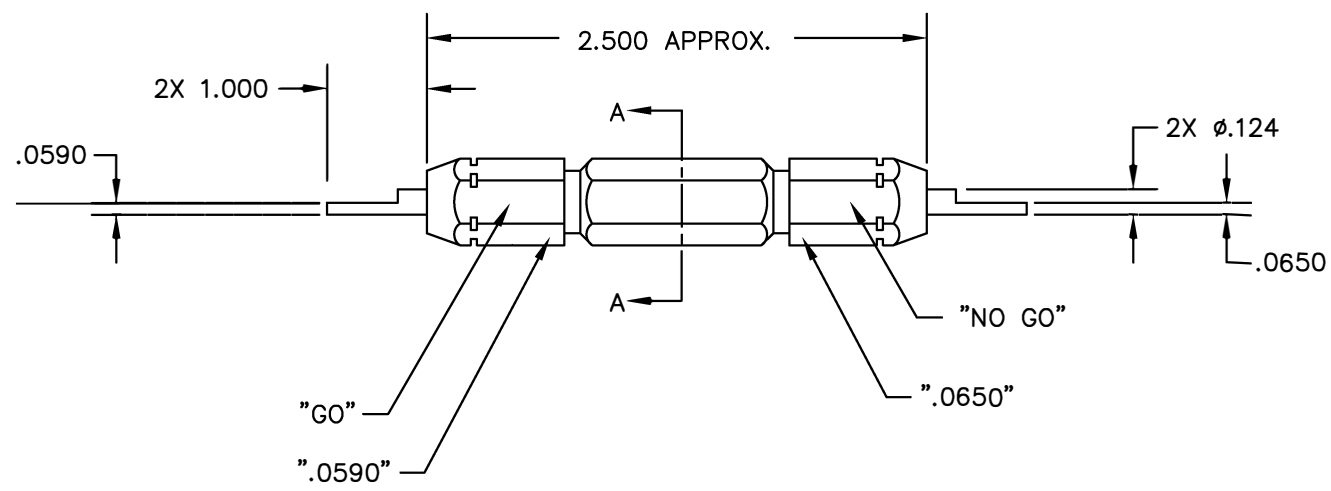



REVISIONS				
REV. SYM.	E.C.O. NUMBER	DESCRIPTION	BY DATE	APP'D DATE
1		ORIGINAL RELEASE	JWJ 1/13/99	RRR 1/13/99



SECTION A-A



**UNCONTROLLED DOCUMENT
WILL NOT BE UPDATED**

RESTRICTED & CONFIDENTIAL CONFIDENTIAL PROPERTY OF DANIELS MANUFACTURING CORP. NOT TO BE DISCLOSED TO OTHERS, REPRODUCED OR USED FOR ANY OTHER PURPOSE, EXCEPT AS AUTHORIZED IN WRITING BY DANIELS MANUFACTURING. MUST BE RETURNED TO DANIELS MANUFACTURING CORP. ON COMPLETION OF ORDER OR OTHER PURPOSE FOR WHICH LENT.	MATERIAL	ITEM	PART NO.	QTY.	DESCRIPTION/REMARKS
	HEAT TREAT	DRN. J. JOYCE	DATE 1/13/99		 DANIELS MANUFACTURING CORP. ORLANDO, FLORIDA CAGE 11851
	FINISH	APP'D.	DATE	TITLE	
	DO NOT SCALE DRAWING	NOTE: THIS DRAWING IS AN OUTLINE DRAWING OF THE RESPECTIVE DMC PART NUMBER INDICATED. ACTUAL DMC PART NUMBER IS DRAWING NUMBER WITHOUT THE "-ENV" SUFFIX.	APP'D.	DATE	WHERE USED:

X-ON Electronics

Largest Supplier of Electrical and Electronic Components

Click to view similar products for [Measuring Tools](#) category:

Click to view products by [DMC](#) manufacturer:

Other Similar products are found below :

[G336](#) [M225203-01](#) [GPP-36](#) [G426](#) [G1333](#) [G1327](#) [G1154](#) [G1150](#) [G1152](#) [G1157](#) [G1155](#) [G1063](#) [G1009](#) [20368](#) [G800](#) [G1229](#) [W066005](#)
[01334](#) [16456](#) [17215](#) [17218](#) [17221](#) [17672](#) [17677](#) [17705](#) [17775](#) [02511](#) [YT-0863](#) [YT-0865](#) [YT-0866](#) [YT-7126](#) [YT-7131](#) [495006](#) [495007](#)
[T3531](#) [100](#) [20285](#) [0-30-457](#) [0-30-487](#) [0-30-497](#) [0-33-195](#) [0-33-198](#) [1-45-685](#) [13011](#) [20145](#) [02281](#) [02282](#) [02283](#) [02284](#) [02286](#) [02288](#)