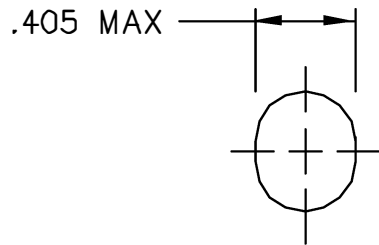
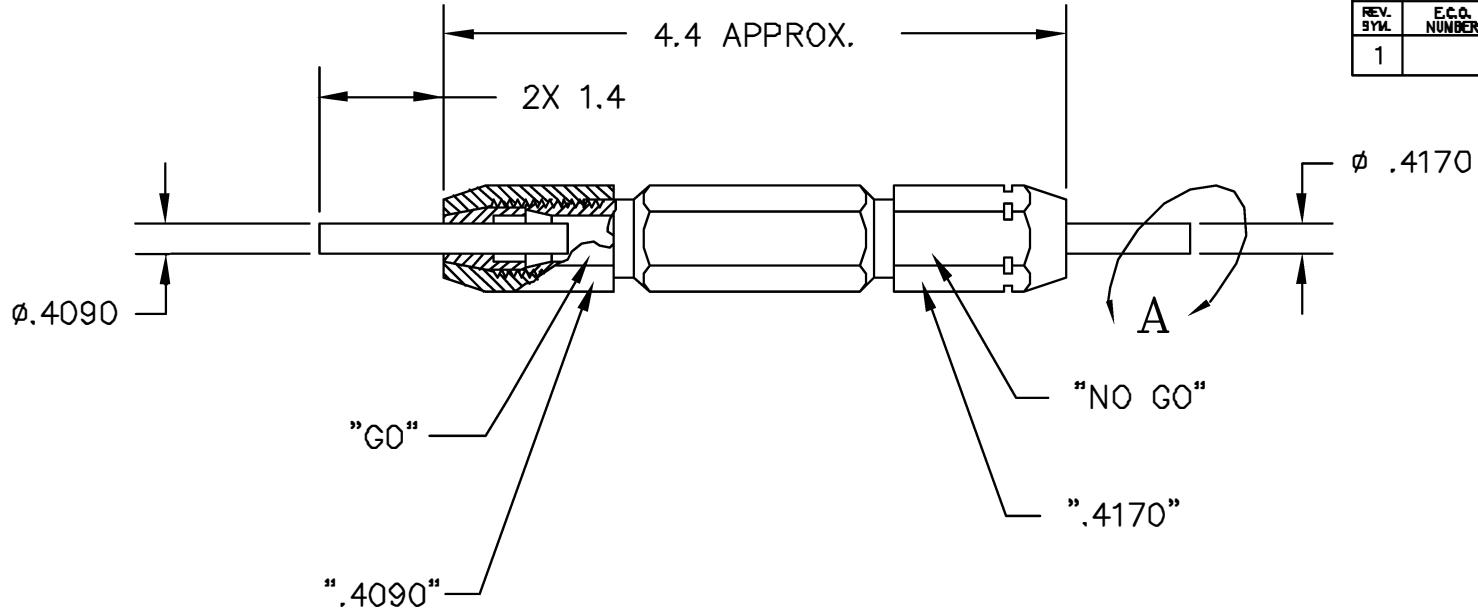



REVISIONS				
REV. SYM.	E.C.O. NUMBER	DESCRIPTION	BY DATE	APP'D DATE
1		ORIGINAL RELEASE	DUNG CAO 5-15-96	DE 5-96



END VIEW OF DETAIL A
BOTH GAGE PINS

**UNCONTROLLED DOCUMENT
WILL NOT BE UPDATED**

RESTRICTED & CONFIDENTIAL CONFIDENTIAL PROPERTY OF DANIELS MANUFACTURING CORP. NOT TO BE DISCLOSED TO OTHERS, REPRODUCED OR USED FOR ANY OTHER PURPOSE, EXCEPT AS AUTHORIZED IN WRITING BY DANIELS MANUFACTURING. MUST BE RETURNED TO DANIELS MANUFACTURING CORP. ON COMPLETION OF ORDER OR OTHER PURPOSE FOR WHICH SENT.	MATERIAL	ITEM	PART NO.	QTY.	DESCRIPTION/REMARKS			
	HEAT TREAT	DRN. DUNG CAO	DATE 5-15-96		 DANIELS MANUFACTURING CORP. ORLANDO, FLORIDA GAGE 11851			
	FINISH	CHKD. DE	DATE 5-96					
		APP'D.	DATE					
	APP'D.	DATE						
DO NOT SCALE DRAWING		TITLE		GO/NO-GO GAGE ENVELOPE DRAWING				
		WHERE USED:		SIZE B	SCALE NTS	CAD P/N G410-ENV	SHEET 1	OF 1
				POSTING	P/N	G410-ENV	REV. 1	

X-ON Electronics

Largest Supplier of Electrical and Electronic Components

Click to view similar products for [Measuring Tools](#) category:

Click to view products by [DMC](#) manufacturer:

Other Similar products are found below :

[G336](#) [M225203-01](#) [GPP-36](#) [G426](#) [G1333](#) [G1327](#) [G1154](#) [G1150](#) [G1152](#) [G1157](#) [G1155](#) [G1063](#) [G1009](#) [20368](#) [G800](#) [G1229](#) [W066005](#)
[01334](#) [16456](#) [17215](#) [17218](#) [17221](#) [17672](#) [17677](#) [17705](#) [17775](#) [02511](#) [YT-0863](#) [YT-0865](#) [YT-0866](#) [YT-7126](#) [YT-7131](#) [495006](#) [495007](#)
[T3531](#) [100](#) [20285](#) [0-30-457](#) [0-30-487](#) [0-30-497](#) [0-33-195](#) [0-33-198](#) [1-45-685](#) [13011](#) [20145](#) [017080020](#) [017080008](#) [02281](#) [02282](#) [02283](#)
[02284](#)