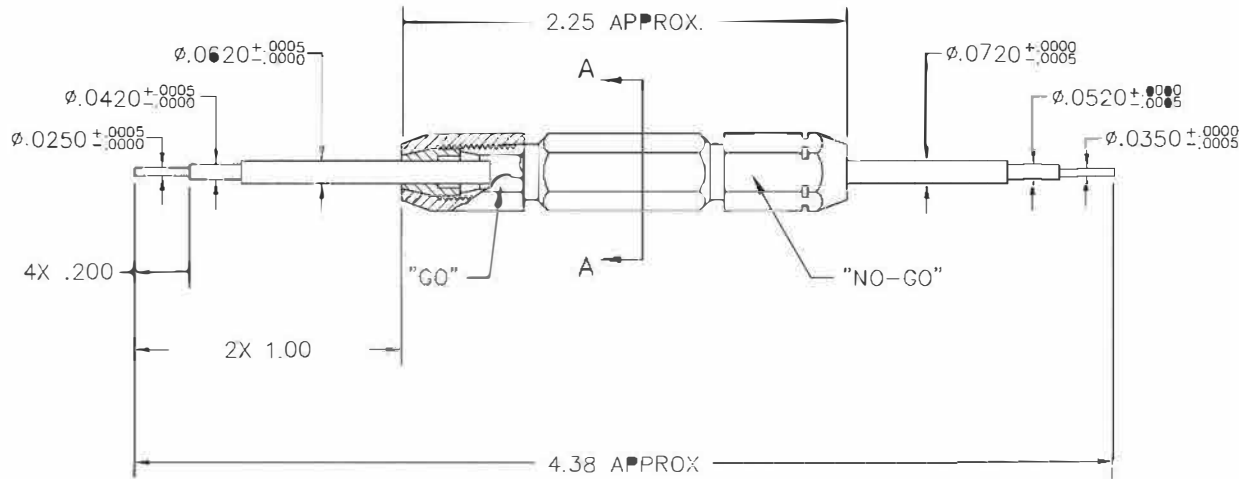



REVISIONS				
REV. SYM.	E.C.O. NUMBER	DESCRIPTION	BY DATE	APP'D DATE
1		ORIGINAL RELEASE	TS 5/8/86	DJR 5/9/86
2		REVISED GAGE PIN DIA'S	MCS 1/23/88	TS 1/25/88
3		ADDED "DO NOT CRIMP GAGE"	JWJ 9/24/01	RRR 9/24/01
4		ADDED MIL SPEC #'S	ENF 5-28-10	RRR 5-28-10
5		ADDED TOLERANCE TO GAGE PINS	TonyD 9-29-16	



**UNCONTROLLED DOCUMENT
WILL NOT BE UPDATED**
DIMENSIONS IN INCHES - UNLESS OTHERWISE SPECIFIED

RESTRICTED & CONFIDENTIAL CONFIDENTIAL PROPERTY OF DANIELS MANUFACTURING CORP. NOT TO BE DISCLOSED TO OTHERS, REPRODUCED OR USED FOR ANY OTHER PURPOSE, EXCEPT AS AUTHORIZED IN WRITING BY DANIELS MANUFACTURING. MUST BE RETURNED TO DANIELS MANUFACTURING CORP. ON COMPLETION OF ORDER OR OTHER PURPOSE FOR WHICH LENT.		MATERIAL	ITEM	PART NO.	QTY.	DESCRIPTION/REMARKS	
DO NOT SCALE DRAWING		HEAT TREAT	BRN.	TS	DATE	 DANIELS MANUFACTURING CORP. ORLANDO, FLORIDA CAGE 11851 TITLE GO/NO-GO GAGE M22520/39-01 ENVELOPE DRAWING	
			CHK'D.	MCS	DATE		
			APP'D.	DJR	DATE		
			APP'D.		DATE		
		FINISH	NOTE: THIS DRAWING IS AN OUTLINE DRAWING OF THE RESPECTIVE DMC PART NUMBER INDICATED. ACTUAL DMC PART NUMBER IS CAD PART NUMBER WITHOUT THE "-ENV" SUFFIX.			WHERE USED:	
			SIZE	SCALE	CAD P/N	SHEET	OF
			B	NTS	G411-ENV	1	1
			POSTING	DWG. NO.	G411	REV.	5

X-ON Electronics

Largest Supplier of Electrical and Electronic Components

Click to view similar products for [Measuring Tools](#) category:

Click to view products by [DMC](#) manufacturer:

Other Similar products are found below :

[G336](#) [GPP-36](#) [G426](#) [G1333](#) [G1327](#) [G1154](#) [G1150](#) [G1152](#) [G1157](#) [G1155](#) [G1063](#) [G1009](#) [20368](#) [G800](#) [G1229](#) [W066005](#) [01334](#) [16456](#)
[17215](#) [17218](#) [17221](#) [17672](#) [17677](#) [17705](#) [17775](#) [02511](#) [YT-0863](#) [YT-0865](#) [YT-0866](#) [YT-7126](#) [YT-7131](#) [495006](#) [495007](#) [T3531](#) [100](#)
[20285](#) [0-30-457](#) [0-30-487](#) [0-30-497](#) [0-33-195](#) [0-33-198](#) [1-45-685](#) [13011](#) [20145](#) [017080008](#) [02281](#) [02282](#) [02283](#) [02284](#) [02286](#) [02288](#)