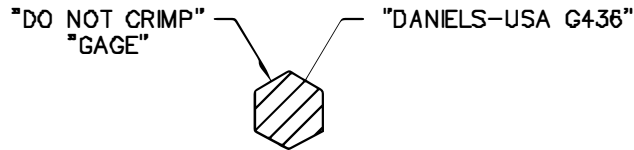
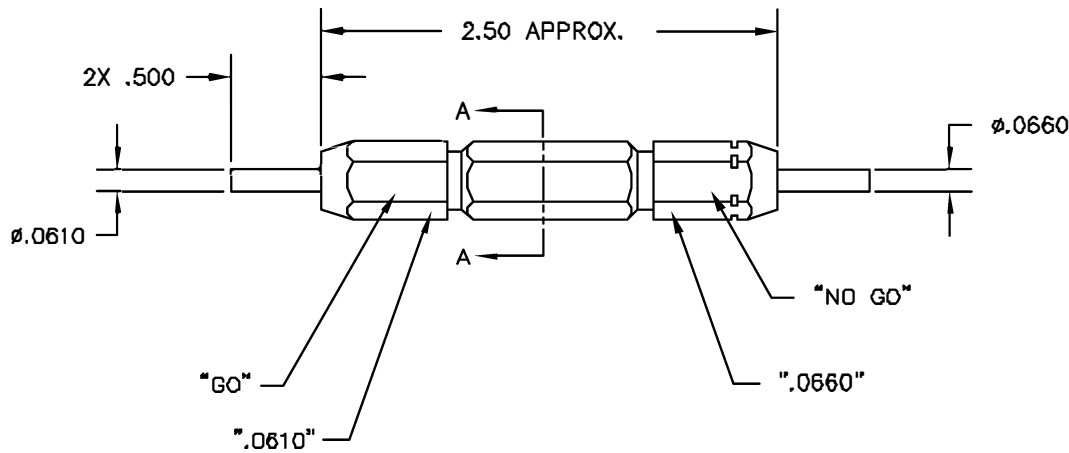



| REVISIONS | | | | |
|-----------|---------------|------------------|----------------|---------------|
| REV. SYN. | E.C.D. NUMBER | DESCRIPTION | BY DATE | APPD DATE |
| 1 | | ORIGINAL RELEASE | JWB 2/28/88 | RRR 3/6/88 |



SECTION A-A



**UNCONTROLLED DOCUMENT
WILL NOT BE UPDATED**

| | | | | | |
|---|------------|-------|----------|--------------|---|
| RESTRICTED & CONFIDENTIAL CONFIDENTIAL PROPERTY OF DANIELS MANUFACTURING CORP. NOT TO BE DISCLOSED TO OTHERS, REPRODUCED OR USED FOR ANY OTHER PURPOSE EXCEPT AS AUTHORIZED IN WRITING BY DANIELS MANUFACTURING. MUST BE RETURNED TO DANIELS MANUFACTURING CORP. ON COMPLETION OF ORDER OR OTHER PURPOSE FOR WHICH LENT. DO NOT SCALE DRAWING | MATERIAL | ITEM | PART NO. | QTY. | DESCRIPTION/REMARKS |
| | HEAT TREAT | DRN | JWS | DATE 2/28/88 |  DANIELS MANUFACTURING CORP. ORLANDO, FLORIDA GAGE 11851 |
| | FINISH | CHK'D | MCS | DATE 3/4/88 | |
| | | APP'D | RRR | DATE 3/6/88 | TITLE GO/NO-GO GAGE ENVELOPE DRAWING WHERE USED: M309, M310 SIZE B SCALE NTS END P/N G436-ENV SHEET 1 OF 1 POSTING P/N G436-ENV REV. 1 |

X-ON Electronics

Largest Supplier of Electrical and Electronic Components

Click to view similar products for [Measuring Tools](#) category:

Click to view products by [DMC](#) manufacturer:

Other Similar products are found below :

[G336](#) [M225203-01](#) [GPP-36](#) [G426](#) [G1333](#) [G1327](#) [G1154](#) [G1150](#) [G1152](#) [G1157](#) [G1155](#) [G1063](#) [G1009](#) [20368](#) [G800](#) [G1229](#) [W066005](#)
[01334](#) [16456](#) [17215](#) [17218](#) [17221](#) [17672](#) [17677](#) [17705](#) [17775](#) [02511](#) [YT-0863](#) [YT-0865](#) [YT-0866](#) [YT-7126](#) [YT-7131](#) [495006](#) [495007](#)
[T3531](#) [100](#) [20285](#) [0-30-457](#) [0-30-487](#) [0-30-497](#) [0-33-195](#) [0-33-198](#) [1-45-685](#) [13011](#) [20145](#) [017080020](#) [017080008](#) [02281](#) [02282](#) [02283](#)
[02284](#)