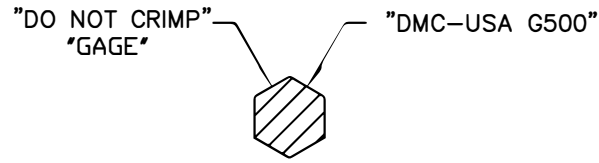
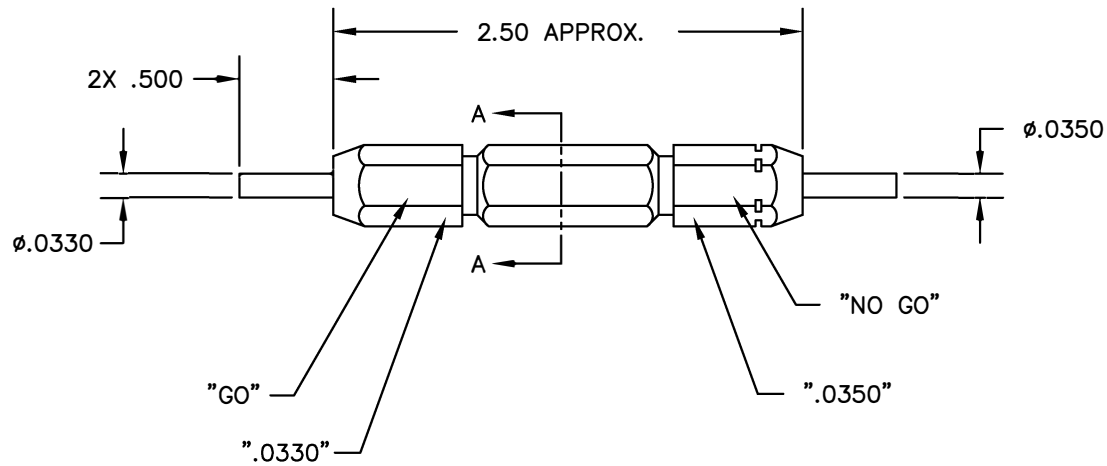


REVISIONS				
REV. SYM.	E.C.O. NUMBER	DESCRIPTION	BY DATE	APP'D DATE
1		ORIGINAL RELEASE	JWJ 5-22-07	RRR 5-22-07



SECTION A-A



**UNCONTROLLED DOCUMENT  
WILL NOT BE UPDATED**

<p><b>RESTRICTED &amp; CONFIDENTIAL</b></p> <p>CONFIDENTIAL PROPERTY OF DANIELS MANUFACTURING CORP. NOT TO BE DISCLOSED TO OTHERS, REPRODUCED OR USED FOR ANY OTHER PURPOSE, EXCEPT AS AUTHORIZED IN WRITING BY DANIELS MANUFACTURING. MUST BE RETURNED TO DANIELS MANUFACTURING CORP. ON COMPLETION OF ORDER OR OTHER PURPOSE FOR WHICH LENT.</p>	MATERIAL	ITEM	PART NO.	QTY.	DESCRIPTION/REMARKS						
	HEAT TREAT	DRN.	J. JOYCE	DATE	5/22/07						
		CHK'D.	RRR	DATE	5/22/07						
	FINISH	APP'D.		DATE		<p><b>DMC</b> DANIELS MANUFACTURING CORP. ORLANDO, FLORIDA CAGE 11851</p> <p>TITLE GO/NO-GO GAGE ENVELOPE DRAWING</p> <p>WHERE USED: WA22BJ</p>					
APP'D.			DATE								
DO NOT SCALE DRAWING	NOTE: THIS DRAWING IS AN OUTLINE DRAWING OF THE RESPECTIVE DMC PART NUMBER INDICATED. ACTUAL DMC PART NUMBER IS DRAWING NUMBER WITHOUT THE "-ENV" SUFFIX.	SIZE	B	SCALE	NTS	CAD P/N	G500-ENV	SHEET	1	OF	1
		POSTING		DWG. NO.	G500-ENV	REV.	1				

## X-ON Electronics

Largest Supplier of Electrical and Electronic Components

*Click to view similar products for [Measuring Tools](#) category:*

*Click to view products by [DMC](#) manufacturer:*

Other Similar products are found below :

[G336](#) [M225203-01](#) [GPP-36](#) [G426](#) [G1333](#) [G1327](#) [G1154](#) [G1150](#) [G1152](#) [G1157](#) [G1155](#) [G1063](#) [G1009](#) [20368](#) [G800](#) [G1229](#) [W066005](#)  
[01334](#) [16456](#) [17215](#) [17218](#) [17221](#) [17672](#) [17677](#) [17705](#) [17775](#) [02511](#) [YT-0863](#) [YT-0865](#) [YT-0866](#) [YT-7126](#) [YT-7131](#) [495006](#) [495007](#)  
[T3531](#) [100](#) [20285](#) [0-30-457](#) [0-30-487](#) [0-30-497](#) [0-33-195](#) [0-33-198](#) [1-45-685](#) [13011](#) [20145](#) [02281](#) [02282](#) [02283](#) [02284](#) [02286](#) [02288](#)