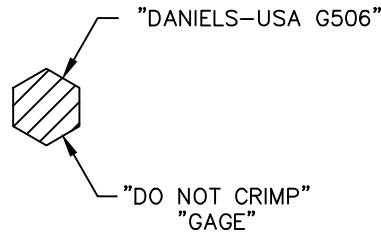


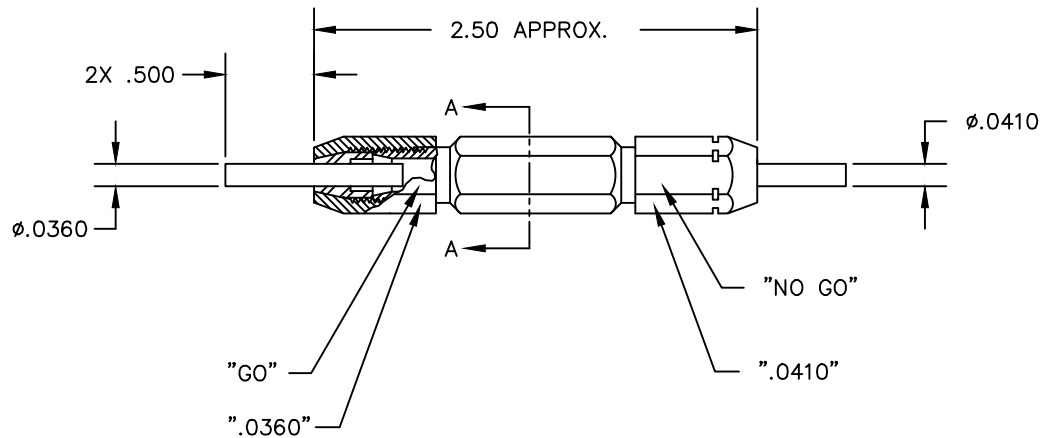
**UNCONTROLLED DOCUMENT
WILL NOT BE UPDATED**

DIMENSIONS IN INCHES - UNLESS OTHERWISE SPECIFIED


REVISIONS				
REV. SYM.	E.C.O. NUMBER	DESCRIPTION	BY DATE	APP'D DATE
1		ORIGINAL RELEASE	K. KOONS 4.22.15	



SECTION A-A



NOTES:

<p>RESTRICTED & CONFIDENTIAL</p> <p>CONFIDENTIAL PROPERTY OF DANIELS MANUFACTURING CORP. NOT TO BE DISCLOSED TO OTHERS, REPRODUCED OR USED FOR ANY OTHER PURPOSE, EXCEPT AS AUTHORIZED IN WRITING BY DANIELS MANUFACTURING. MUST BE RETURNED TO DANIELS MANUFACTURING CORP. ON COMPLETION OF ORDER OR OTHER PURPOSE FOR WHICH LENT.</p>	MATERIAL	N/A	ITEM	PART NO.	QTY.	DESCRIPTION/REMARKS														
	HEAT TREAT	N/A	DRN. K. KOONS	DATE 4.22.15		 <p>DANIELS MANUFACTURING CORP. ORLANDO, FLORIDA CAGE 11851</p>														
	FINISH	N/A	CHK'D.	DATE																
	DO NOT SCALE DRAWING			APP'D.	DATE		<p>TITLE GO/NO-GO GAGE ENV. DRAWING</p> <p>WHERE USED:</p> <table border="1"> <tr> <td>SIZE</td> <td>SCALE</td> <td>DWG. NO.</td> <td>SHEET</td> <td>OF</td> </tr> <tr> <td>B</td> <td>NTS</td> <td>G506-ENV</td> <td>1</td> <td>1</td> </tr> </table> <p>POSTING</p> <table border="1"> <tr> <td>P/N</td> <td>REV.</td> </tr> <tr> <td>G506</td> <td>1</td> </tr> </table>	SIZE	SCALE	DWG. NO.	SHEET	OF	B	NTS	G506-ENV	1	1	P/N	REV.	G506
SIZE	SCALE	DWG. NO.	SHEET	OF																
B	NTS	G506-ENV	1	1																
P/N	REV.																			
G506	1																			

NOTE:
THIS DRAWING IS AN OUTLINE DRAWING OF THE RESPECTIVE DMC PART NUMBER INDICATED. ACTUAL DMC PART NUMBER IS DRAWING NUMBER WITHOUT THE "-ENV" SUFFIX

X-ON Electronics

Largest Supplier of Electrical and Electronic Components

Click to view similar products for [Measuring Tools](#) category:

Click to view products by [DMC](#) manufacturer:

Other Similar products are found below :

[G336](#) [GPP-36](#) [G426](#) [G1333](#) [G1327](#) [G1154](#) [G1150](#) [G1152](#) [G1157](#) [G1155](#) [G1063](#) [G1009](#) [20368](#) [G800](#) [G1229](#) [W066005](#) [01334](#) [16456](#)
[17215](#) [17218](#) [17221](#) [17672](#) [17677](#) [17705](#) [17775](#) [02511](#) [YT-0863](#) [YT-0865](#) [YT-0866](#) [YT-7126](#) [YT-7131](#) [495006](#) [495007](#) [T3531](#) [100](#)
[20285](#) [0-30-457](#) [0-30-487](#) [0-30-497](#) [0-33-195](#) [0-33-198](#) [1-45-685](#) [13011](#) [20145](#) [017080008](#) [02281](#) [02282](#) [02283](#) [02284](#) [02286](#) [02288](#)