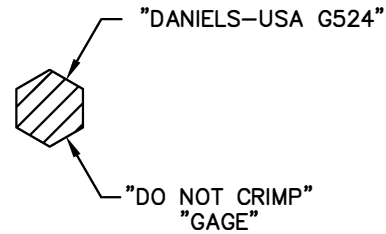
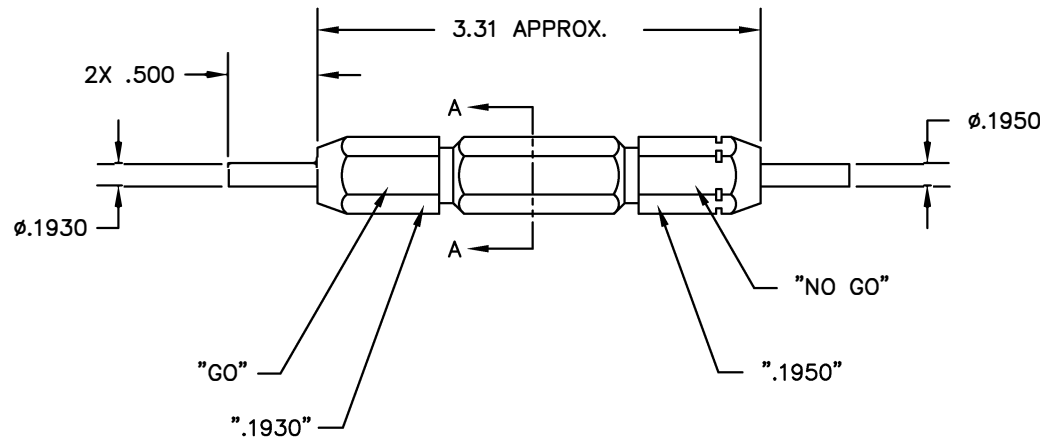


REVISIONS				
REV. SYM.	E.C.O. NUMBER	DESCRIPTION	BY DATE	APP'D DATE
1		ORIGINAL RELEASE	DVC 10/24/94	DE 10/94
2		NOGO WAS .1940	ENF 10/24/13	RRR 10/24/13



SECTION A-A



**UNCONTROLLED DOCUMENT  
WILL NOT BE UPDATED**

<b>RESTRICTED &amp; CONFIDENTIAL</b>		MATERIAL		ITEM	PART NO.	QTY.	DESCRIPTION/REMARKS		
CONFIDENTIAL PROPERTY OF DANIELS MANUFACTURING CORP. NOT TO BE DISCLOSED TO OTHERS, REPRODUCED OR USED FOR ANY OTHER PURPOSE, EXCEPT AS AUTHORIZED IN WRITING BY DANIELS MANUFACTURING. MUST BE RETURNED TO DANIELS MANUFACTURING CORP. ON COMPLETION OF ORDER OR OTHER PURPOSE FOR WHICH LENT.		HEAT TREAT		DRN.	DVC	DATE	DANIELS MANUFACTURING CORP. ORLANDO, FLORIDA GAGE 11851		
				CHK'D.	DE	DATE			
				APP'D.		DATE			
				APP'D.		DATE			
DO NOT SCALE DRAWING		FINISH		NOTE:			TITLE		
				THIS DRAWING IS AN OUTLINE DRAWING OF THE RESPECTIVE DMC PART NUMBER INDICATED. ACTUAL DMC PART NUMBER IS DRAWING NUMBER WITHOUT THE "-ENV" SUFFIX.			WHERE USED:		
				SIZE	SCALE	CAD P/N	SHEET	OF	
				B	NTS	G524-ENV	1	1	
				POSTING	DWG. NO.		REV.		
					G524-ENV		2		

## X-ON Electronics

Largest Supplier of Electrical and Electronic Components

*Click to view similar products for [Measuring Tools](#) category:*

*Click to view products by [DMC](#) manufacturer:*

Other Similar products are found below :

[G336](#) [M225203-01](#) [GPP-36](#) [G426](#) [G1333](#) [G1327](#) [G1154](#) [G1150](#) [G1152](#) [G1157](#) [G1155](#) [G1063](#) [G1009](#) [20368](#) [G800](#) [G1229](#) [W066005](#)  
[01334](#) [16456](#) [17215](#) [17218](#) [17221](#) [17672](#) [17677](#) [17705](#) [17775](#) [02511](#) [YT-0863](#) [YT-0865](#) [YT-0866](#) [YT-7126](#) [YT-7131](#) [495006](#) [495007](#)  
[T3531](#) [100](#) [20285](#) [0-30-457](#) [0-30-487](#) [0-30-497](#) [0-33-195](#) [0-33-198](#) [1-45-685](#) [13011](#) [20145](#) [02281](#) [02282](#) [02283](#) [02284](#) [02286](#) [02288](#)