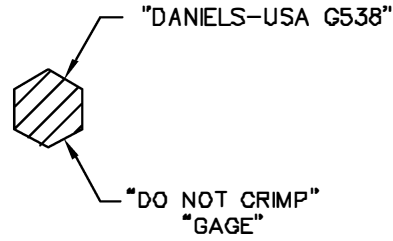
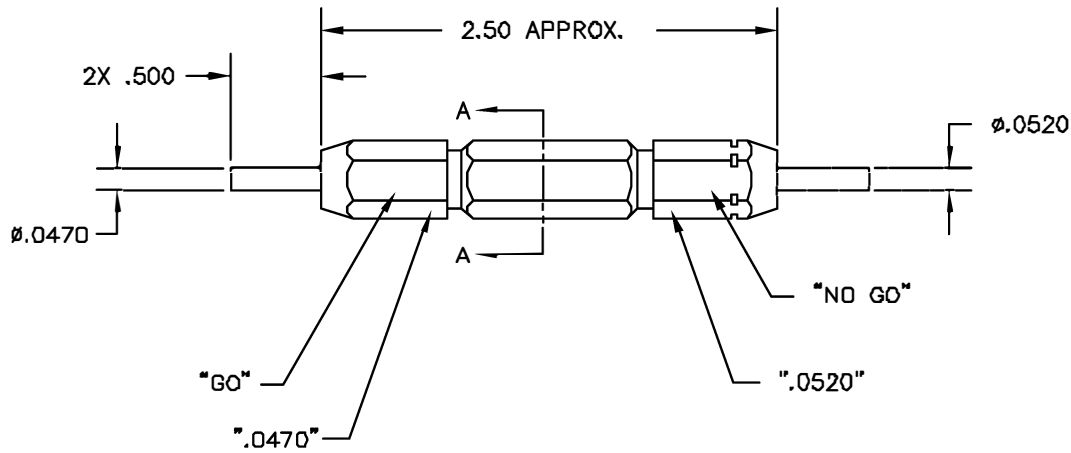


REVISIONS				
REV. SYM.	E.C.D. NUMBER	DESCRIPTION	BY DATE	APP'D DATE
1		ORIGINAL RELEASE	DAD 8/9/87	DE 8/97



SECTION A-A



**UNCONTROLLED DOCUMENT
WILL NOT BE UPDATED**

RESTRICTED & CONFIDENTIAL CONFIDENTIAL PROPERTY OF DANIELS MANUFACTURING CORP. NOT TO BE DISCLOSED TO OTHERS, REPRODUCED OR USED FOR ANY OTHER PURPOSE EXCEPT AS AUTHORIZED IN WRITING BY DANIELS MANUFACTURING CORP. ON COMPLETION OF ORDER OR OTHER PURPOSE FOR WHICH INTENT.	MATERIAL	ITEM	PART NO.	QTY.	DESCRIPTION/REMARKS
	HEAT TREAT	DIR.	D. DEPAIVA	DATE	8/9/87
		CHK'D.	DE	DATE	8/87
	FINISH	APP'D.		DATE	
APP'D.			DATE		
DO NOT SCALE DRAWING		NOTE: THIS DRAWING IS AN OUTLINE DRAWING OF THE RESPECTIVE DMC PART NUMBER INDICATED. ACTUAL DMC PART NUMBER IS DRAWING NUMBER WITHOUT THE "-ENV" SUFFIX.		TITLE GO/NO-GO GAGE ENVELOPE DRAWING	
		SIZE	SCALE	CAD P/N	SHEET OF
		B	NTS	G538-ENV	1 1
		POSTING	DWG. NO.	G538-ENV	REV. 1

X-ON Electronics

Largest Supplier of Electrical and Electronic Components

Click to view similar products for [Measuring Tools](#) category:

Click to view products by [DMC](#) manufacturer:

Other Similar products are found below :

[G336](#) [M225203-01](#) [GPP-36](#) [G426](#) [G1333](#) [G1327](#) [G1154](#) [G1150](#) [G1152](#) [G1157](#) [G1155](#) [G1063](#) [G1009](#) [20368](#) [G800](#) [G1229](#) [W066005](#)
[01334](#) [16456](#) [17215](#) [17218](#) [17221](#) [17672](#) [17677](#) [17705](#) [17775](#) [02511](#) [YT-0863](#) [YT-0865](#) [YT-0866](#) [YT-7126](#) [YT-7131](#) [495006](#) [495007](#)
[T3531](#) [100](#) [20285](#) [0-30-457](#) [0-30-487](#) [0-30-497](#) [0-33-195](#) [0-33-198](#) [1-45-685](#) [13011](#) [20145](#) [02281](#) [02282](#) [02283](#) [02284](#) [02286](#) [02288](#)