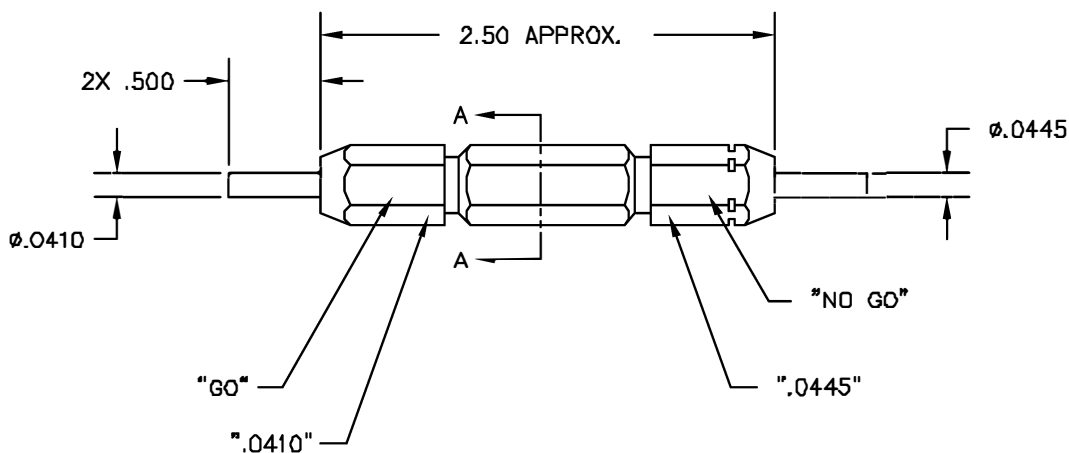


REVISIONS				
REV. SYM.	E.C.O. NUMBER	DESCRIPTION	BY DATE	APP'D DATE
1		ORIGINAL RELEASE	BG 11/12/88	MGS 11/88



UNCONTROLLED DOCUMENT
WILL NOT BE UPDATED

RESTRICTED & CONFIDENTIAL CONFIDENTIAL PROPERTY OF DANIELS MANUFACTURING CORP. NOT TO BE DISCLOSED TO OTHERS, REPRODUCED OR USED FOR ANY OTHER PURPOSE, EXCEPT AS AUTHORIZED IN WRITING BY DANIELS MANUFACTURING. MUST BE RETURNED TO DANIELS MANUFACTURING CORP. ON COMPLETION OF ORDER OR OTHER PURPOSE FOR WHICH LENT.	MATERIAL	ITEM	PART NO.	QTY.	DESCRIPTION/REMARKS																				
	HEAT TREAT	DRN.	BG	DATE 11/12/88	DANIELS MANUFACTURING CORP. ORLANDO, FLORIDA CAGE 11851																				
	FINISH	CHK'D.	MGS	DATE 11/12/88																					
	DO NOT SCALE DRAWING		APP'D.	DJR	DATE 11/12/88	TITLE GO/NO-GO GAGE ENVELOPE DRAWING WHERE USED: MH750																			
					<table border="1" style="width: 100%; border-collapse: collapse;"> <tr> <td>SIZE</td> <td>SCALE</td> <td>CAD P/N</td> <td>SHEET</td> <td>OF</td> </tr> <tr> <td>B</td> <td>NTS</td> <td>G80-ENV</td> <td>1</td> <td>1</td> </tr> <tr> <td>POSTING</td> <td></td> <td>P/N</td> <td>G80-ENV</td> <td>REV.</td> </tr> <tr> <td></td> <td></td> <td></td> <td></td> <td>1</td> </tr> </table>	SIZE	SCALE	CAD P/N	SHEET	OF	B	NTS	G80-ENV	1	1	POSTING		P/N	G80-ENV	REV.					1
SIZE	SCALE	CAD P/N	SHEET	OF																					
B	NTS	G80-ENV	1	1																					
POSTING		P/N	G80-ENV	REV.																					
				1																					

X-ON Electronics

Largest Supplier of Electrical and Electronic Components

Click to view similar products for [Measuring Tools](#) category:

Click to view products by [DMC](#) manufacturer:

Other Similar products are found below :

[G336](#) [GPP-36](#) [G426](#) [G1333](#) [G1327](#) [G1154](#) [G1150](#) [G1152](#) [G1157](#) [G1155](#) [G1063](#) [G1009](#) [20368](#) [G800](#) [G1229](#) [W066005](#) [01334](#) [16456](#)
[17215](#) [17218](#) [17221](#) [17672](#) [17677](#) [17705](#) [17775](#) [02511](#) [YT-0863](#) [YT-0865](#) [YT-0866](#) [YT-7126](#) [YT-7131](#) [495006](#) [495007](#) [T3531](#) [100](#)
[20285](#) [0-30-457](#) [0-30-487](#) [0-30-497](#) [0-33-195](#) [0-33-198](#) [1-45-685](#) [13011](#) [20145](#) [017080008](#) [02281](#) [02282](#) [02283](#) [02284](#) [02286](#) [02288](#)