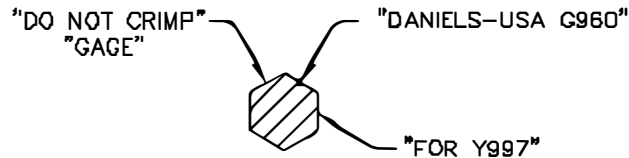
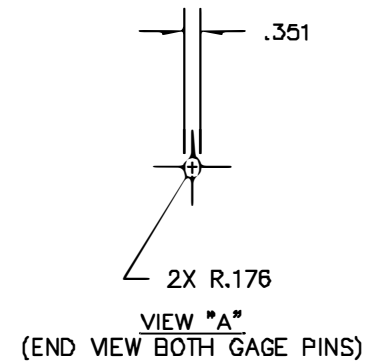
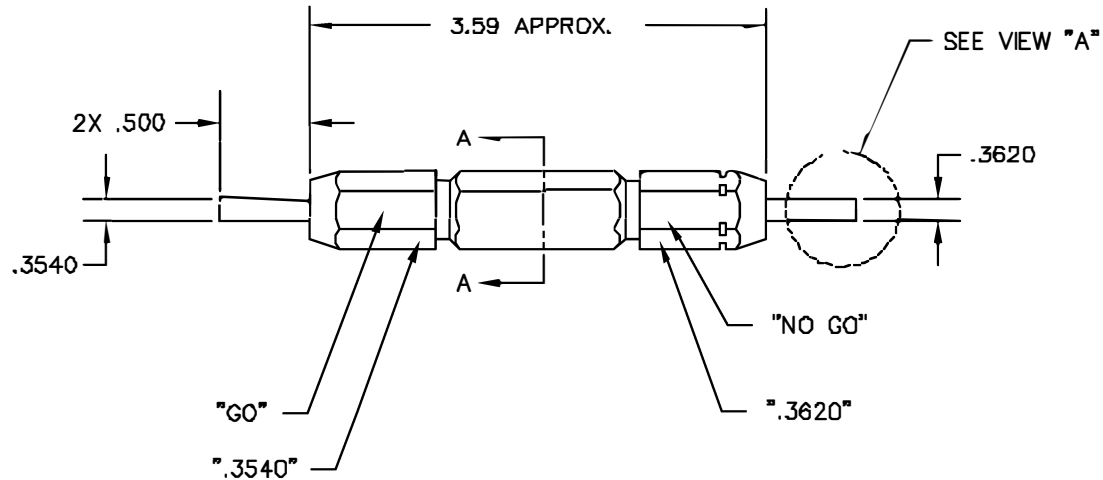


REVISIONS				
REV. SYN.	E.C.G. NUMBER	DESCRIPTION	BY DATE	APP'D DATE
1		ORIGINAL RELEASE	RWJ 11/12/02	RRR 11/12/02




SECTION A-A



**UNCONTROLLED DOCUMENT
WILL NOT BE UPDATED**

- FUNCTIONAL EQUIV. TO AMP GAGE (FIGURE 5 OF AMP I.S. 408-2331)

NOTES:

RESTRICTED & CONFIDENTIAL CONFIDENTIAL PROPERTY OF DANIELS MANUFACTURING CORP. NOT TO BE DISCLOSED TO OTHERS, REPRODUCED OR USED FOR ANY OTHER PURPOSE EXCEPT AS AUTHORIZED IN WRITING BY DANIELS MANUFACTURING. MUST BE RETURNED TO DANIELS MANUFACTURING CORP. ON COMPLETION OF ORDER OR OTHER PURPOSE FOR WHICH LENT.	MATERIAL	ITEM	PART NO.	QTY.	DESCRIPTION/REMARKS
	HEAT TREAT	DRN	J. JOYCE	DATE	 DANIELS MANUFACTURING CORP. ORLANDO, FLORIDA GAGE 11851
		CHKD	RRR	DATE	
	FINISH	APPL		DATE	TITLE
APPL			DATE	WHERE USED:	
DO NOT SCALE DRAWING		SIZE	SCALE	GAG P/N	SHEET OF
		B	NTS	G960-ENV	1 1
		POSTING		P/N	REV.
				G960-ENV	1

X-ON Electronics

Largest Supplier of Electrical and Electronic Components

Click to view similar products for [Measuring Tools](#) category:

Click to view products by [DMC](#) manufacturer:

Other Similar products are found below :

[G336](#) [GPP-36](#) [G426](#) [G1333](#) [G1327](#) [G1154](#) [G1150](#) [G1152](#) [G1157](#) [G1155](#) [G1063](#) [G1009](#) [20368](#) [G800](#) [G1229](#) [W066005](#) [01334](#) [16456](#)
[17215](#) [17218](#) [17221](#) [17672](#) [17677](#) [17705](#) [17775](#) [02511](#) [YT-0863](#) [YT-0865](#) [YT-0866](#) [YT-7126](#) [YT-7131](#) [495006](#) [495007](#) [T3531](#) [100](#)
[20285](#) [0-30-457](#) [0-30-487](#) [0-30-497](#) [0-33-195](#) [0-33-198](#) [1-45-685](#) [13011](#) [20145](#) [02281](#) [02282](#) [02283](#) [02284](#) [02286](#) [02288](#) [02500](#)