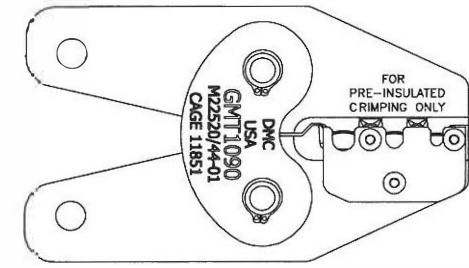
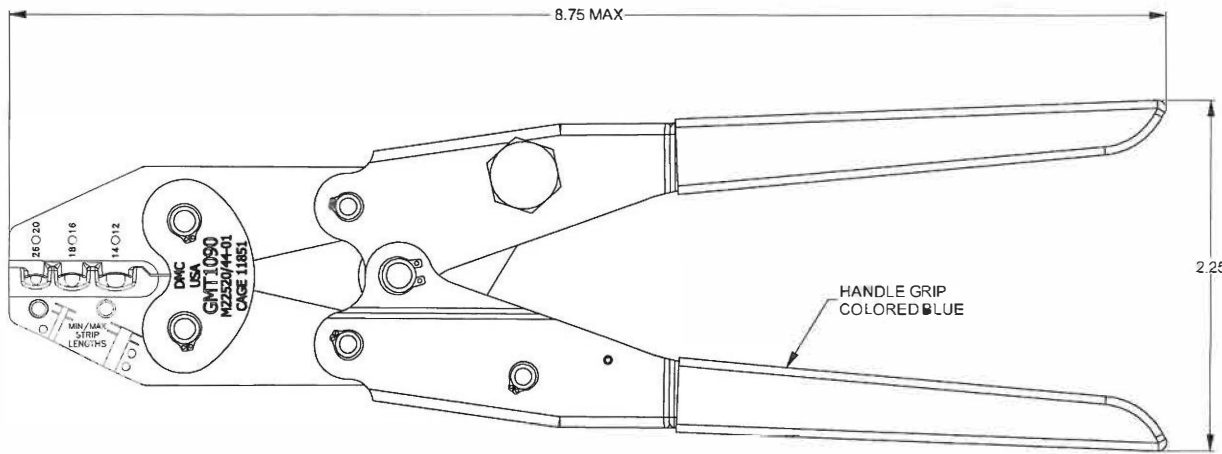
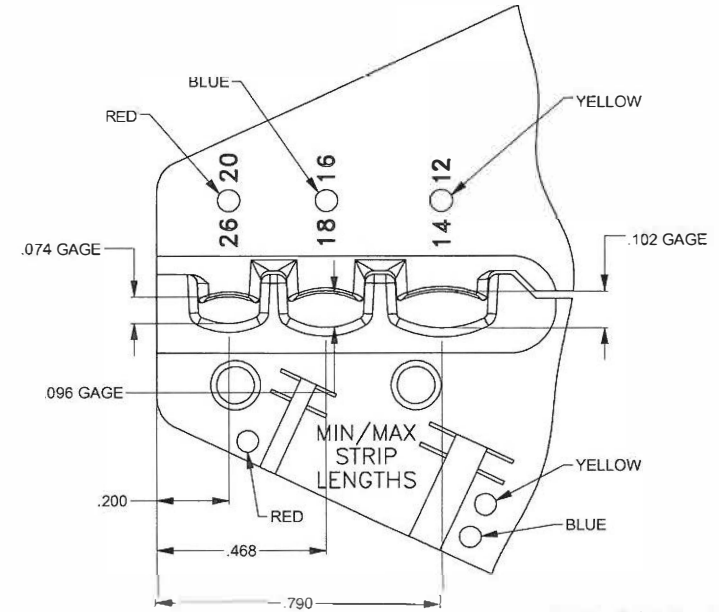
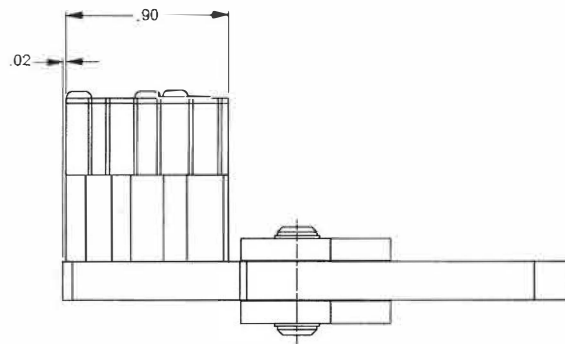


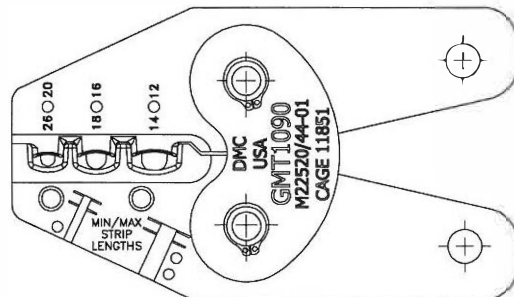
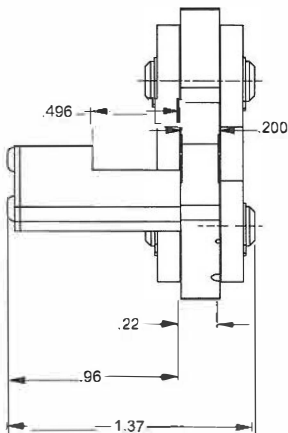
| REV | REV | DESCRIPTION | REV | APPD |
|-----|-------|----------------------------|------------|------|
| NUM | NO | | DATE | DATE |
| 1 | | PRELIMINARY | 10 | |
| 2 | | GAGING CHANGE | 18 | |
| 3 | | UPDATED | 10, 24, 30 | |
| 4 | 21963 | ORIGINAL RELEASE | 10, 26, 18 | |
| 5 | 22473 | LOCATOR NOW SPRING LOADED | 12, 26, 18 | |
| 6 | 22669 | CAVITY SHAPE & SIZE CHANGE | 10, 26, 12 | |
| 7 | 22933 | LINK MARKING CHANGE | 10, 26, 13 | |



VIEW ON BACK



FOR GAGE CHECK USE DANIELS G1122



UNCONTROLLED DOCUMENT
WILL NOT BE UPDATED

DIMENSIONS IN INCHES - UNLESS OTHERWISE SPECIFIED

| RESTRICTED & CONFIDENTIAL | | MATERIAL | ITEM | PART NO | QTY | DESCRIPTION/REMARKS |
|--|--|----------|---|---------|-----|--|
| <small>CONFIDENTIAL PROPERTY OF DANIELS MANUFACTURING CORP. NOT TO BE REPRODUCED OR DISCLOSED TO ANY OTHER PURCHASER EXCEPT AS AUTHORIZED BY WRITING BY DANIELS MANUFACTURING CORP. MUST BE RETURNED TO DANIELS MANUFACTURING CORP. UPON COMPLETION OF ORDER OR OTHER PURCHASE FOR ORIGINAL SET.</small> | | | DMC | | | DANIELS MANUFACTURING CORP. ORLANDO, FLORIDA CAGE 11851 |
| <small>CREATED FROM AN INVENTOR MODEL. CHANGES MUST BE REFLECTED IN THE 3D PART</small> | | | NOTE | | | CRIMP TOOL ENVELOPE DRAWING |
| DO NOT SCALE DRAWING | | | <small>THIS DRAWING IS AN OUTLINE DRAWING OF THE RESPECTIVE PART NUMBER. REPLICATED ACTUAL DIMENSIONS WITHOUT THE "EXP" & "MFG"</small> | | | <small>HERE USE</small> C 1.5X GMT1090 ENV 1 1 GMT1090-ENV 7 |

X-ON Electronics

Largest Supplier of Electrical and Electronic Components

Click to view similar products for [Crimpers / Crimping Tools](#) category:

Click to view products by [DMC](#) manufacturer:

Other Similar products are found below :

[010-0096](#) [CT150-2-D02](#) [CT150-6-RH07](#) [622-6441LF](#) [63484-3701](#) [63800-8355](#) [63819-1875](#) [63819-2875](#) [63819-4475](#) [63827-5375](#) [64005-0175](#) [662903-2](#) [690602-6](#) [7-23471-1](#) [734611-1](#) [762637-1](#) [811242-5](#) [91362-1](#) [1-21002-3](#) [1-21002-7](#) [12118040](#) [12085270](#) [12387119-6](#) [1-22548-4](#) [125442-1](#) [DCE.91.073.BVC](#) [DCE.91.090.3MVM](#) [DCE.91.162.BVCM](#) [DCE.91.202.BVCM](#) [1310G2](#) [1333249-1](#) [1-354003-0](#) [1338301-1](#) [DF62/RE-MD](#) [142321](#) [AP105-DF11-2428S\(64\)](#) [1456088-1](#) [1-45804-6](#) [15397700](#) [AX100749](#) [1-59619-7](#) [1596970-1](#) [1-59619-8](#) [1901238-2](#) [2119581-1](#) [K761](#) [KTH-1079](#) [KTH-2022](#) [KTH-2260](#) [904139-1](#)