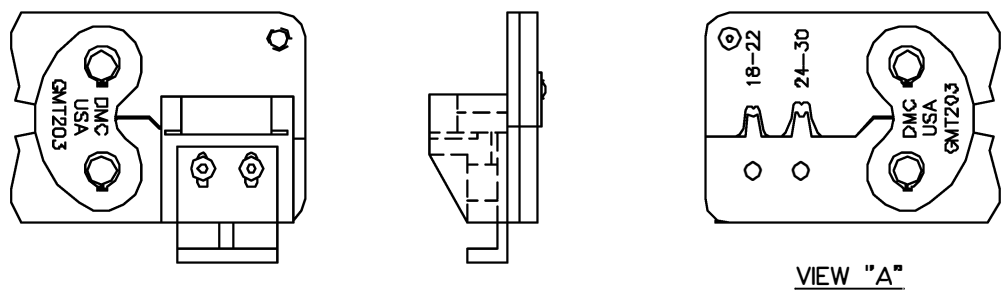
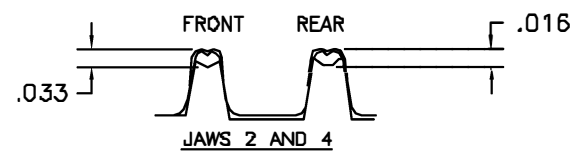
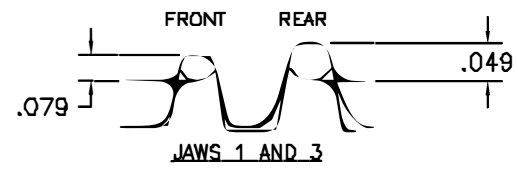
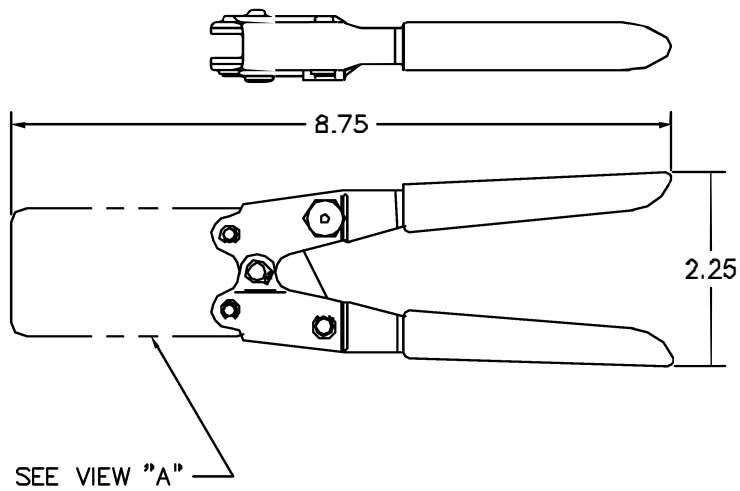



| REVISIONS | | | | |
|-----------|---------------|------------------|---------------|------------|
| REV. SYM. | E.C.A. NUMBER | DESCRIPTION | BY DATE | APP'D DATE |
| 1 | | ORIGINAL RELEASE | JS 1/28/88 | DE 1/29 |



**UNCONTROLLED DOCUMENT
WILL NOT BE UPDATED**

1. FOR GAGING, MEASURE WITH A BLADE MICROMETER. SAMPLE CRIMP ON ϕ .062 50/50 SOLID SOLDER FOR INSULATION JAWS. SAMPLE CRIMP ON ϕ .093 50/50 SOLID SOLDER FOR CONDUCTOR JAWS.

NOTES:

| | | | | | |
|---|------------|------------|--------------|------|---|
| <p>RESTRICTED & CONFIDENTIAL CONFIDENTIAL PROPERTY OF DANIELS MANUFACTURING CORP. NOT TO BE DISCLOSED TO OTHERS, REPRODUCED OR USED FOR ANY OTHER PURPOSE, EXCEPT AS AUTHORIZED IN WRITING BY DANIELS MANUFACTURING. MUST BE RETURNED TO DANIELS MANUFACTURING CORP. ON COMPLETION OF ORDER OR OTHER PURPOSE FOR WHICH LENT.</p> | MATERIAL | ITEM | PART NO. | QTY. | DESCRIPTION/REMARKS |
| | HEAT TREAT | DRW. JS | DATE 1/24/88 | |  DANIELS MANUFACTURING CORP. ORLANDO, FLORIDA CAGE 11857 |
| | FINISH | CHK'D. MGS | DATE 1/28/88 | | |
| DO NOT SCALE DRAWING | | APP'D. AAM | DATE 1/28/88 | | TITLE CRIMP TOOL ENVELOPE DRAWING |
| | | | | | WHERE USED: |
| | | | | | SIZE B SCALE NTS CAD P/N GMT203-ENV SHEET 1 OF 1 |
| | | | | | POSTING P/N GMT203-ENV REV. 1 |

X-ON Electronics

Largest Supplier of Electrical and Electronic Components

Click to view similar products for [Crimpers / Crimping Tools](#) category:

Click to view products by [DMC](#) manufacturer:

Other Similar products are found below :

[010-0096](#) [M225201-06](#) [M225202-37](#) [6-1579015-5](#) [CT150-6-RH07](#) [622-6441LF](#) [M322](#) [6-304052-1](#) [63456-0054](#) [63484-3701](#) [63800-8355](#)
[63819-1875](#) [63819-2875](#) [63819-4475](#) [63827-5375](#) [64001-0975](#) [64001-4175](#) [64005-0175](#) [662903-2](#) [690602-6](#) [7-1579001-9](#) [7-23471-1](#)
[762637-1](#) [808714-1](#) [811242-5](#) [999-50-020083](#) [1-21002-3](#) [1-21002-7](#) [12085270](#) [1-21002-6](#) [1-21113-6](#) [1-22548-4](#) [125442-1](#)
[DCE.91.073.BVC](#) [DCE.91.090.3MVM](#) [DCE.91.130.5MVU](#) [DCE.91.202.BVCM](#) [1338300-1](#) [1-354003-0](#) [1338301-1](#) [DF62/RE-MD](#) [142321](#)
[1456088-1](#) [1490794-1](#) [1-45804-6](#) [1490357-2](#) [1490357-3](#) [AX100749](#) [1-59619-7](#) [1596970-1](#)