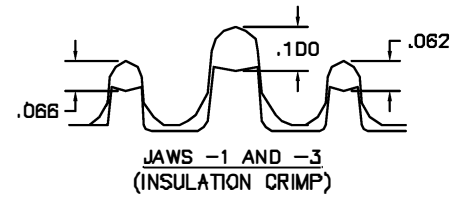
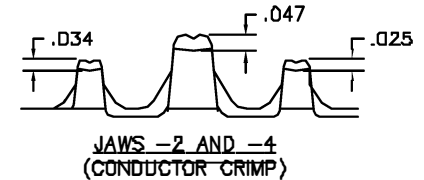
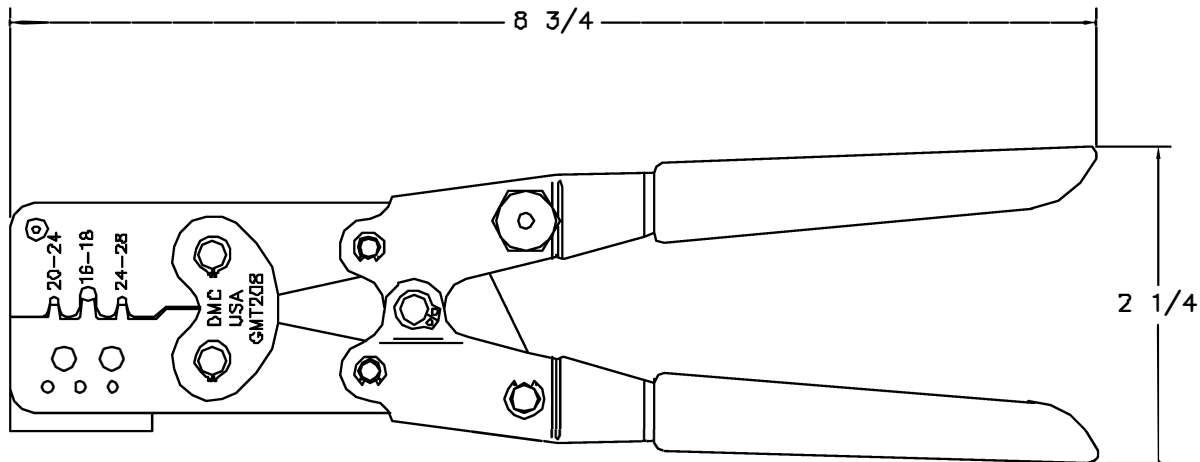


UNCONTROLLED DOCUMENT
WILL NOT BE UPDATED

REVISIONS				
REV. SYM.	E.C.D. NUMBER	DESCRIPTION	BY DATE	APP'D DATE
2		ADDED NOTE 2	MJ 4/28/88	RRR 4/28/88



2. TOLERANCES ON ALL CRIMP HEIGHTS $\pm .005$.
1. FOR GAGING: SAMPLE CRIMP INSULATION JAWS ON $\phi .093$ 50/50 SOLID SOLDER; SAMPLE CRIMP CONDUCTOR JAWS ON $\phi .062$ 50/50 SOLID SOLDER. MEASURE WITH BLADE MICROMETER OR VERNIER.

NOTES:

~~RESTRICTED & CONFIDENTIAL~~

CONFIDENTIAL PROPERTY OF DANIELS MANUFACTURING CORP. NOT TO BE DISCLOSED TO OTHERS, REPRODUCED OR USED FOR ANY OTHER PURPOSE, EXCEPT AS AUTHORIZED IN WRITING BY DANIELS MANUFACTURING. MUST BE RETURNED TO DANIELS MANUFACTURING CORP. ON COMPLETION OF ORDER OR OTHER PURPOSE FOR WHICH LENT.

ITEM	PART NO.	QTY.	DESCRIPTION/REMARKS
DRG.	DH	DATE 3/2/88	DANIELS MANUFACTURING CORP. ORLANDO, FLORIDA GAGE 11851
PLN	IS	DATE 3/2/88	
APP'D.	AAM	DATE 3/2/88	TITLE CRIMP TOOL ENVELOPE DRAWING (AMP 90277/ 90066)
APP'D.		DATE	
WHERE USED			SIZE 8 SCALE NTS CAD P/N GMT208-ENV SHEET 1 OF 1 POSTING P/N GMT208-ENV REV. 2

X-ON Electronics

Largest Supplier of Electrical and Electronic Components

Click to view similar products for [Crimpers / Crimping Tools](#) category:

Click to view products by [DMC](#) manufacturer:

Other Similar products are found below :

[010-0096](#) [M225201-06](#) [M225202-37](#) [6-1579015-5](#) [CT150-6-RH07](#) [622-6441LF](#) [M322](#) [6-304052-1](#) [63456-0054](#) [63484-3701](#) [63800-8355](#)
[63819-1875](#) [63819-2875](#) [63819-4475](#) [63823-3475](#) [63827-5375](#) [64001-0975](#) [64001-4175](#) [64005-0175](#) [662903-2](#) [690602-6](#) [7-1579001-9](#) [7-](#)
[23471-1](#) [762637-1](#) [808714-1](#) [811242-5](#) [999-50-020083](#) [1-21002-3](#) [1-21002-7](#) [12085270](#) [1-21002-6](#) [1-21113-6](#) [1-22548-4](#) [125442-1](#)
[DCE.91.073.BVC](#) [DCE.91.090.3MVM](#) [DCE.91.130.5MVU](#) [DCE.91.202.BVCM](#) [1338300-1](#) [1-354003-0](#) [1338301-1](#) [DF62/RE-MD](#) [142321](#)
[1456088-1](#) [1490794-1](#) [1-45804-6](#) [1490357-2](#) [1490357-3](#) [AX100749](#) [1-59619-7](#)