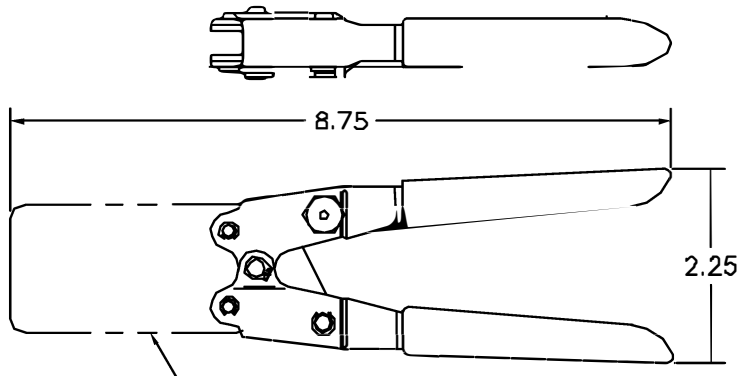
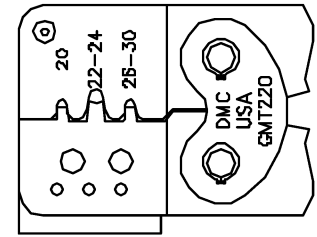
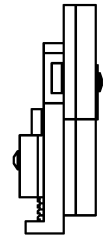
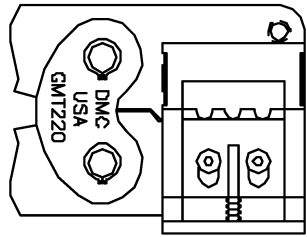
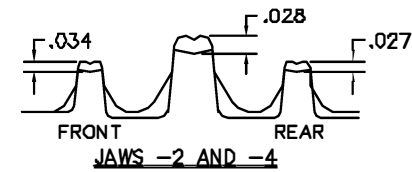
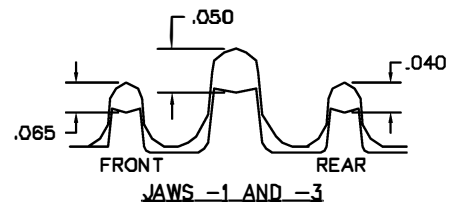


REVISIONS				
REV. SYM.	ECO NUMBER	DESCRIPTION	BY DATE	APP'D DATE
1		ORIGINAL RELEASE	JWJ 11/29/99	RRR 11/29/99



SEE VIEW "A"



VIEW "A"

**UNCONTROLLED DOCUMENT  
WILL NOT BE UPDATED**

1. CRIMP  $\phi.062$  OR  $\phi.093$  50/50 SOLID SOLDER AND MEASURE WITH A BLADE MICROMETER.

NOTES:

<b>RESTRICTED &amp; CONFIDENTIAL</b> CONFIDENTIAL PROPERTY OF DANIELS MANUFACTURING CORP. NOT TO BE DISCLOSED TO OTHERS. REPRODUCED OR USED FOR ANY OTHER PURPOSE, EXCEPT AS AUTHORIZED IN WRITING BY DANIELS MANUFACTURING. MUST BE RETURNED TO DANIELS MANUFACTURING CORP. ON COMPLETION OF ORDER OR OTHER PURPOSE FOR WHICH LENT.	MATERIAL	ITEM DRN	PART NO.	QTY.	DESCRIPTION/REMARKS
	HEAT TREAT	J. JOYCE	DATE 11/29/99		<b>DANIELS MANUFACTURING CORP.</b> ORLANDO, FLORIDA CAGE 11857
	FINISH	APP'D.	DATE	TITLE	
	DO NOT SCALE DRAWING				CRIMP TOOL ENVELOPE DRAWING
		WHOSE USED:		SIZE	SHEET OF
				B	1 1
				SCALE	CAD P/N
				NTS	GMT220-ENV
				POSTING	P/N
					GMT220-ENV
				REV.	1

## X-ON Electronics

Largest Supplier of Electrical and Electronic Components

*Click to view similar products for [Crimpers / Crimping Tools](#) category:*

*Click to view products by [DMC](#) manufacturer:*

Other Similar products are found below :

[010-0096](#) [M225201-06](#) [M225202-37](#) [6-1579015-5](#) [CT150-6-RH07](#) [622-6441LF](#) [M322](#) [6-304052-1](#) [63456-0054](#) [63484-3701](#) [63800-8355](#)  
[63819-1875](#) [63819-2875](#) [63819-4475](#) [63823-3475](#) [63827-5375](#) [64001-0975](#) [64001-4175](#) [64005-0175](#) [662903-2](#) [690602-6](#) [7-1579001-9](#) [7-](#)  
[23471-1](#) [762637-1](#) [808714-1](#) [811242-5](#) [999-50-020083](#) [1-21002-3](#) [1-21002-7](#) [12085270](#) [1-21002-6](#) [1-21113-6](#) [1-22548-4](#) [125442-1](#)  
[DCE.91.073.BVC](#) [DCE.91.090.3MVM](#) [DCE.91.130.5MVU](#) [DCE.91.202.BVCM](#) [1338300-1](#) [1-354003-0](#) [1338301-1](#) [DF62/RE-MD](#) [142321](#)  
[1456088-1](#) [1490794-1](#) [1-45804-6](#) [1490357-2](#) [1490357-3](#) [AX100749](#) [1-59619-7](#)