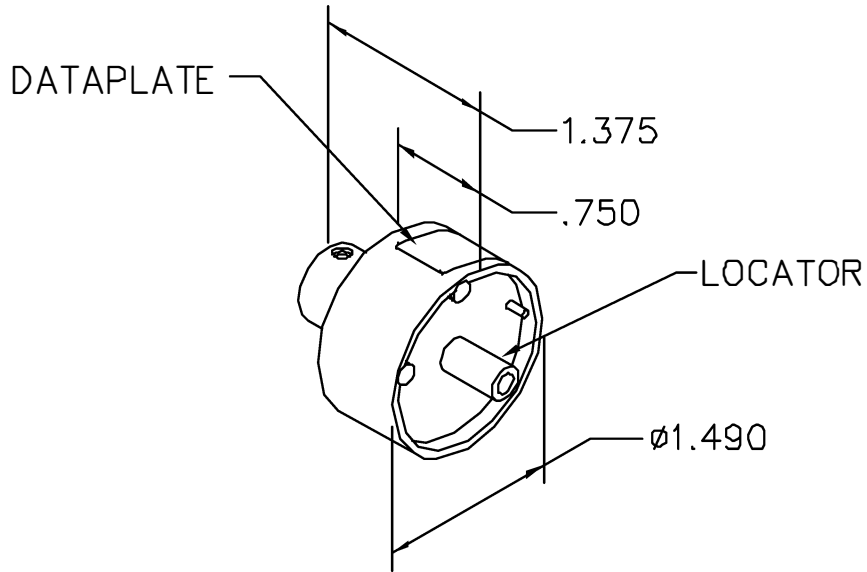


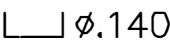
REVISIONS				
REV. SYM.	E.C.O. NUMBER	DESCRIPTION	BY DATE	APP'D DATE
2		REDRAWN	AAM 1-26-01	RRR 1-26-01

**UNCONTROLLED DOCUMENT
WILL NOT BE UPDATED**



AMP COAXICON SHELLS
P71-2979 & P71-2980
USE WITH DANIELS GS100
CRIMP TOOL ONLY

DATAPLATE

LOCATOR	
HOLE DIMENSIONS	ADDITIONAL FEATURES
Ø.116 ▽ 1.145 MIN.	 Ø.140 ▽ .055

RESTRICTED & CONFIDENTIAL

CONFIDENTIAL PROPERTY OF DANIELS MANUFACTURING CORP. NOT TO BE DISCLOSED TO OTHERS, REPRODUCED OR USED FOR ANY OTHER PURPOSE, EXCEPT AS AUTHORIZED IN WRITING BY DANIELS MANUFACTURING. MUST BE RETURNED TO DANIELS MANUFACTURING CORP. ON COMPLETION OF ORDER OR OTHER PURPOSE FOR WHICH LENT.

DO NOT SCALE DRAWING

DRN.	DH	DATE 3-9-88
CHK'D.	TS	DATE 3-9-88
APP'D.	AAM	DATE 3-9-88
APP'D.		DATE

NOTE:
THIS DRAWING IS AN OUTLINE DRAWING OF THE RESPECTIVE DMC PART NUMBER INDICATED. ACTUAL DMC PART NUMBER IS DRAWING NUMBER WITHOUT THE "-ENV" SUFFIX.



DANIELS MANUFACTURING CORP.
ORLANDO, FLORIDA
CAGE 11851

TITLE
**ENVELOPE DRAWING
SINGLE POSITION HEAD**

WHERE USED: GS10D

SIZE A	SCALE NTS	CAD P/N GP475-ENV	SHEET 1	OF 1
POSTING	DWG. NO. GP475-ENV	REV. 2		

X-ON Electronics

Largest Supplier of Electrical and Electronic Components

Click to view similar products for [Measuring Tools](#) category:

Click to view products by [DMC](#) manufacturer:

Other Similar products are found below :

[G336](#) [GPP-36](#) [G426](#) [G1333](#) [G1327](#) [G1154](#) [G1150](#) [G1152](#) [G1157](#) [G1155](#) [G1063](#) [G1009](#) [20368](#) [G800](#) [G1229](#) [W066005](#) [01334](#) [16456](#)
[17215](#) [17218](#) [17221](#) [17672](#) [17677](#) [17705](#) [17775](#) [02511](#) [YT-0863](#) [YT-0865](#) [YT-0866](#) [YT-7126](#) [YT-7131](#) [495006](#) [495007](#) [T3531](#) [100](#)
[20285](#) [0-30-457](#) [0-30-487](#) [0-30-497](#) [0-33-195](#) [0-33-198](#) [1-45-685](#) [13011](#) [20145](#) [017080008](#) [02281](#) [02282](#) [02283](#) [02284](#) [02286](#) [02288](#)